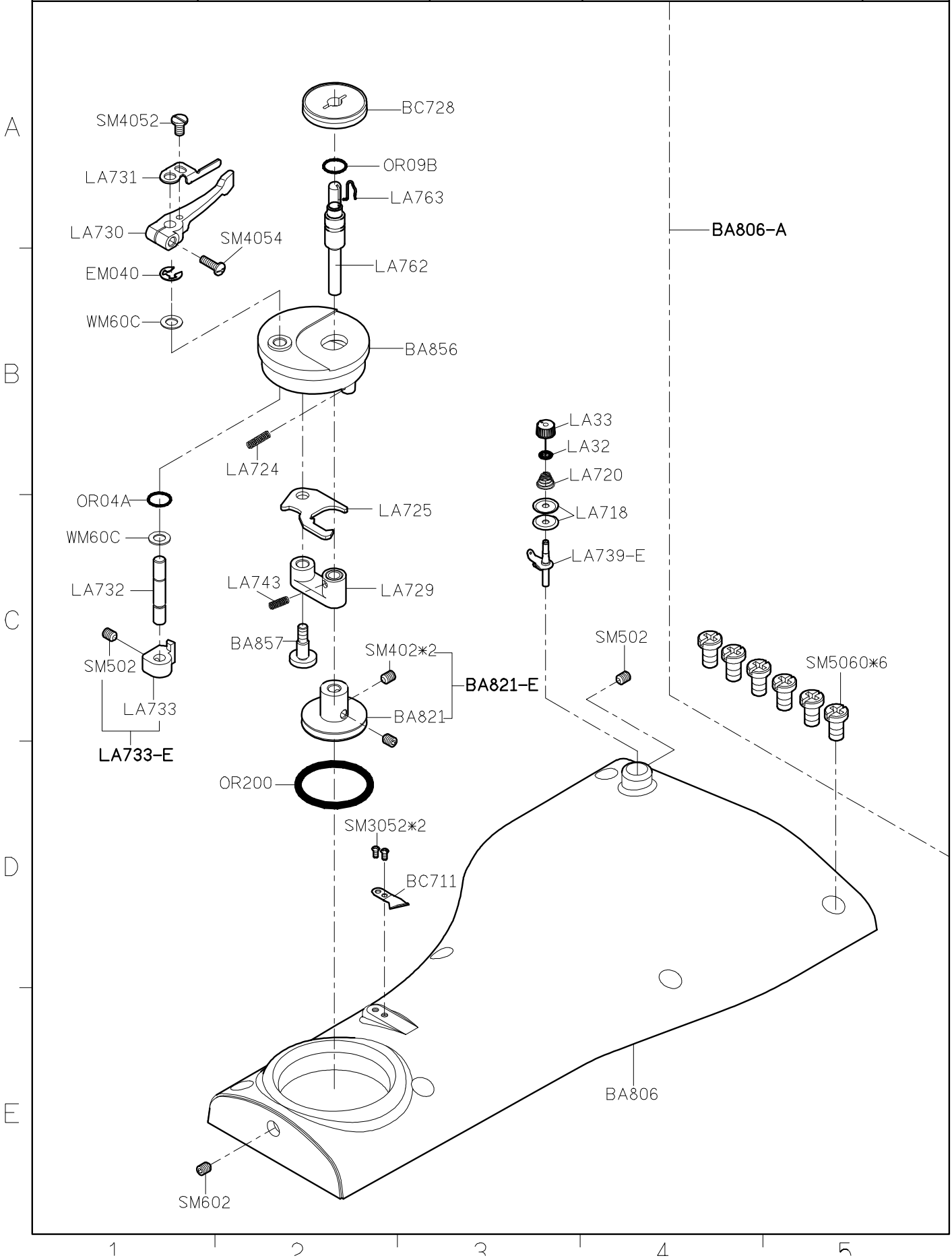


SIRUBA PARTS LIST	Series	Parts Group	Subclass / Remark	Page
	BT290	BA		2/2
				Date
				2012/08/22



SIRUBA

PARTS LIST

Series

Parts Group

Subclass / Remark

Page

BT290

BC

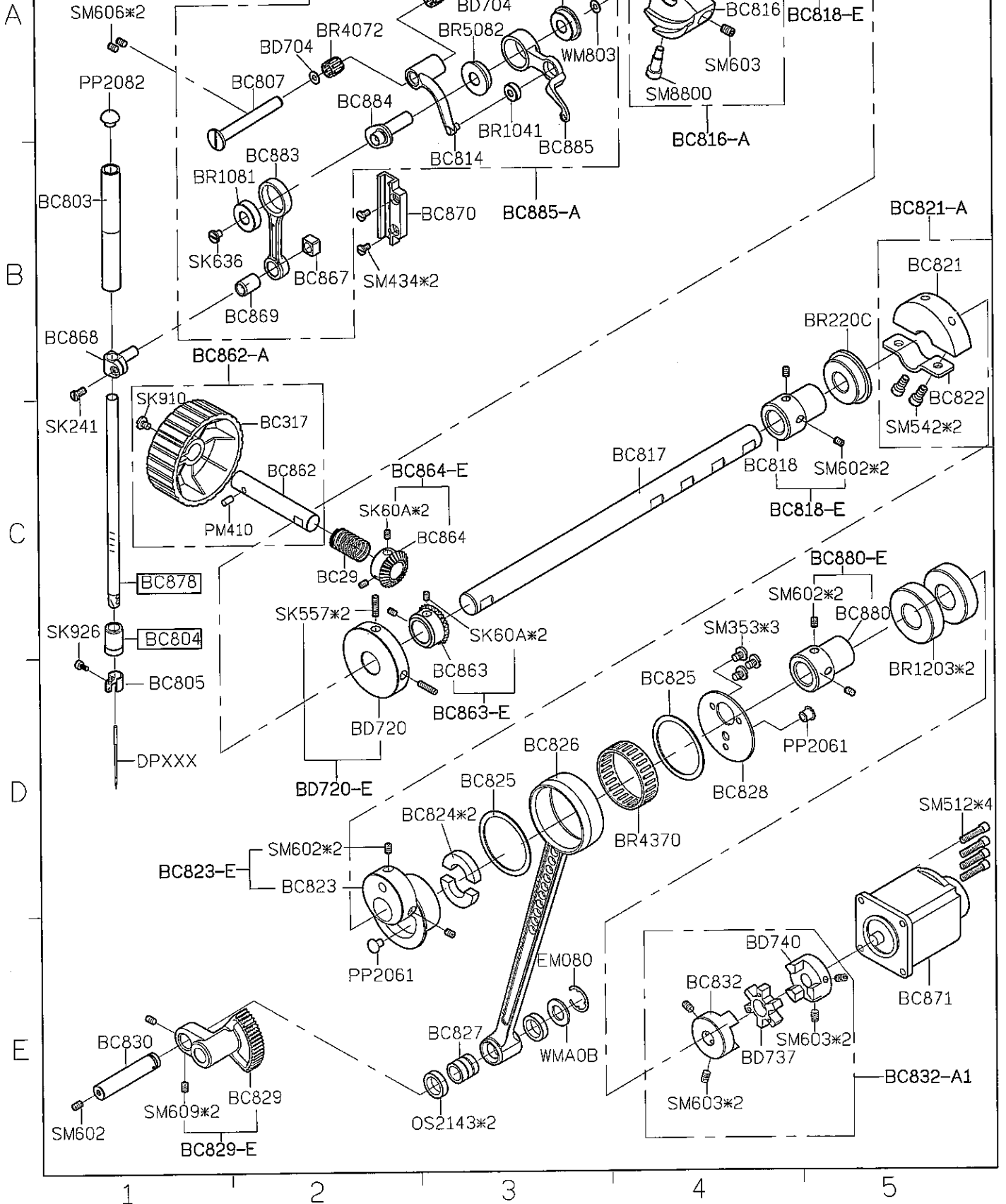
1/2

Date

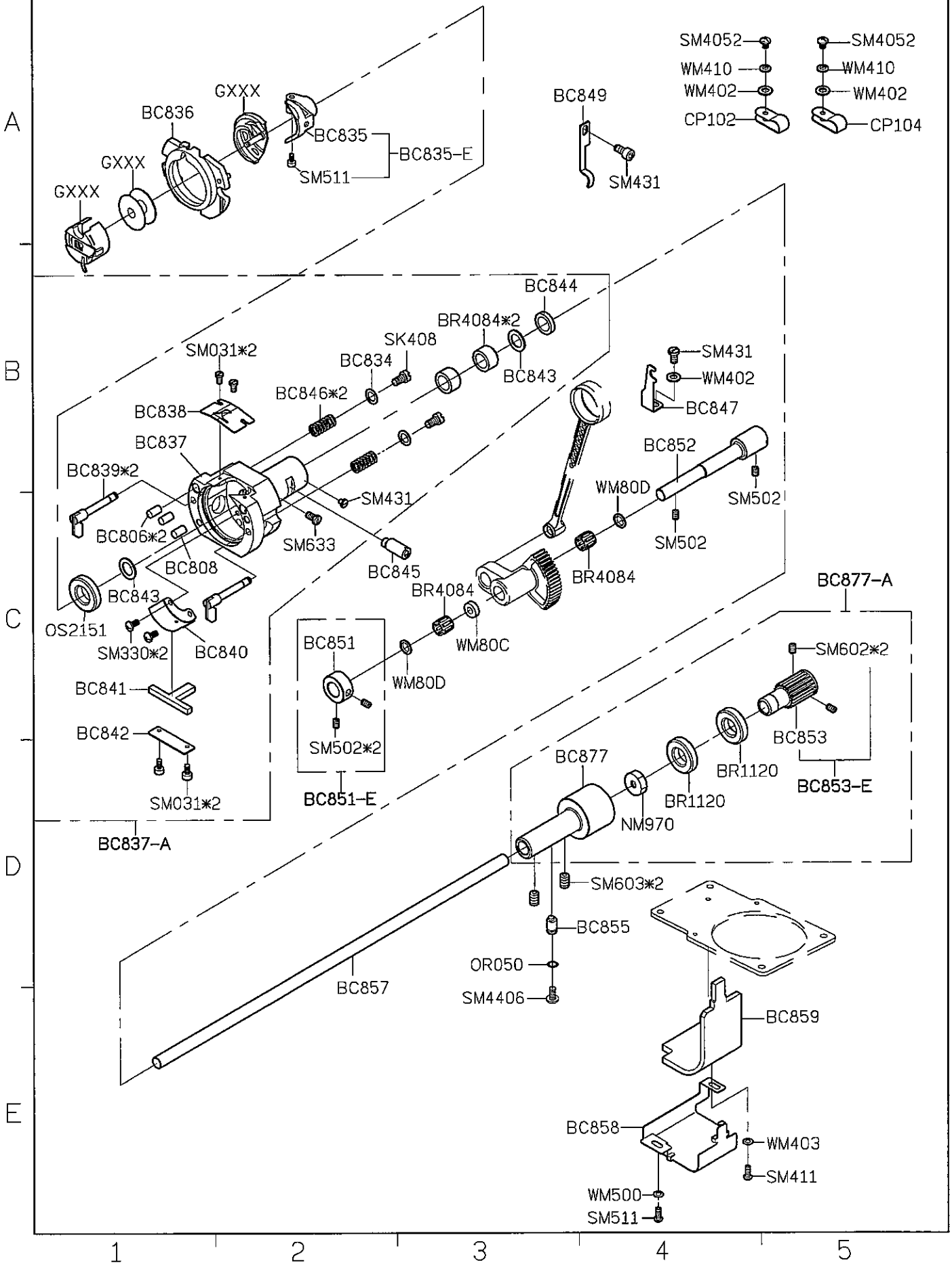
2013/02/23

MODEL	BT290-DS BT290-AS	BT290-AU
PARTS NO	BC804	BC809
	BC878	BC879

研發部
2013.03.04
發行

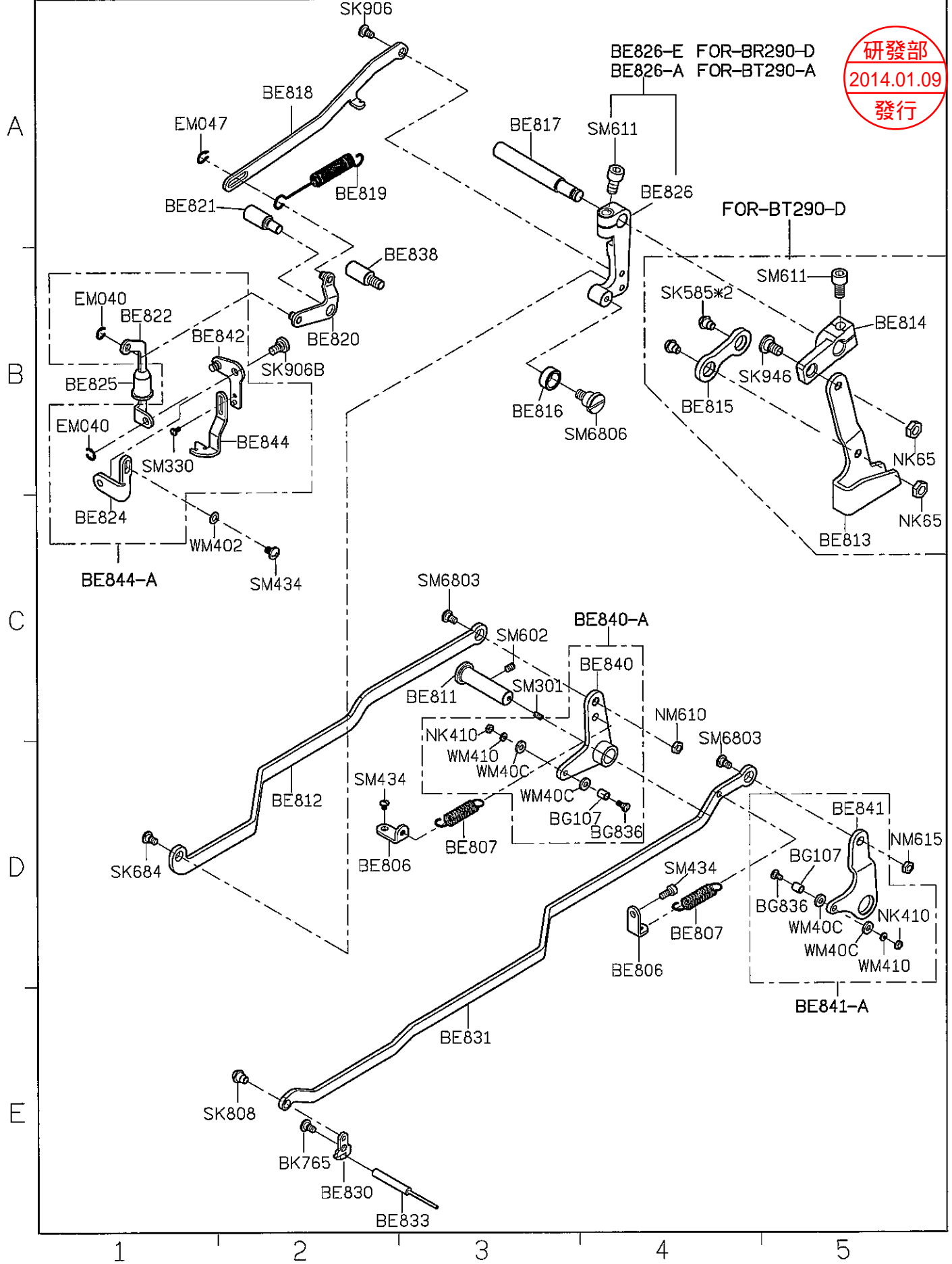


SIRUBA PARTS LIST	Series	Parts Group	Subclass / Remark	Page
	BT290	BC	<div style="border: 1px solid red; border-radius: 50%; padding: 5px; display: inline-block;"> 研發部 2014.01.09 發行 </div>	2/2
				Date
				2012/12/24



SIRUBA PARTS LIST	Series	Parts Group	Subclass / Remark	Page
	BT290	BE		1/1
				Date
				2013/12/24

研發部
 2014.01.09
 發行



SIRUBA PARTS LIST	Series	Parts Group	Subclass / Remark	Page
	BT290	BF	*: Use for BT290-D	1/7
				Date
				2013/12/24

研發部
 2014.01.09
 發行

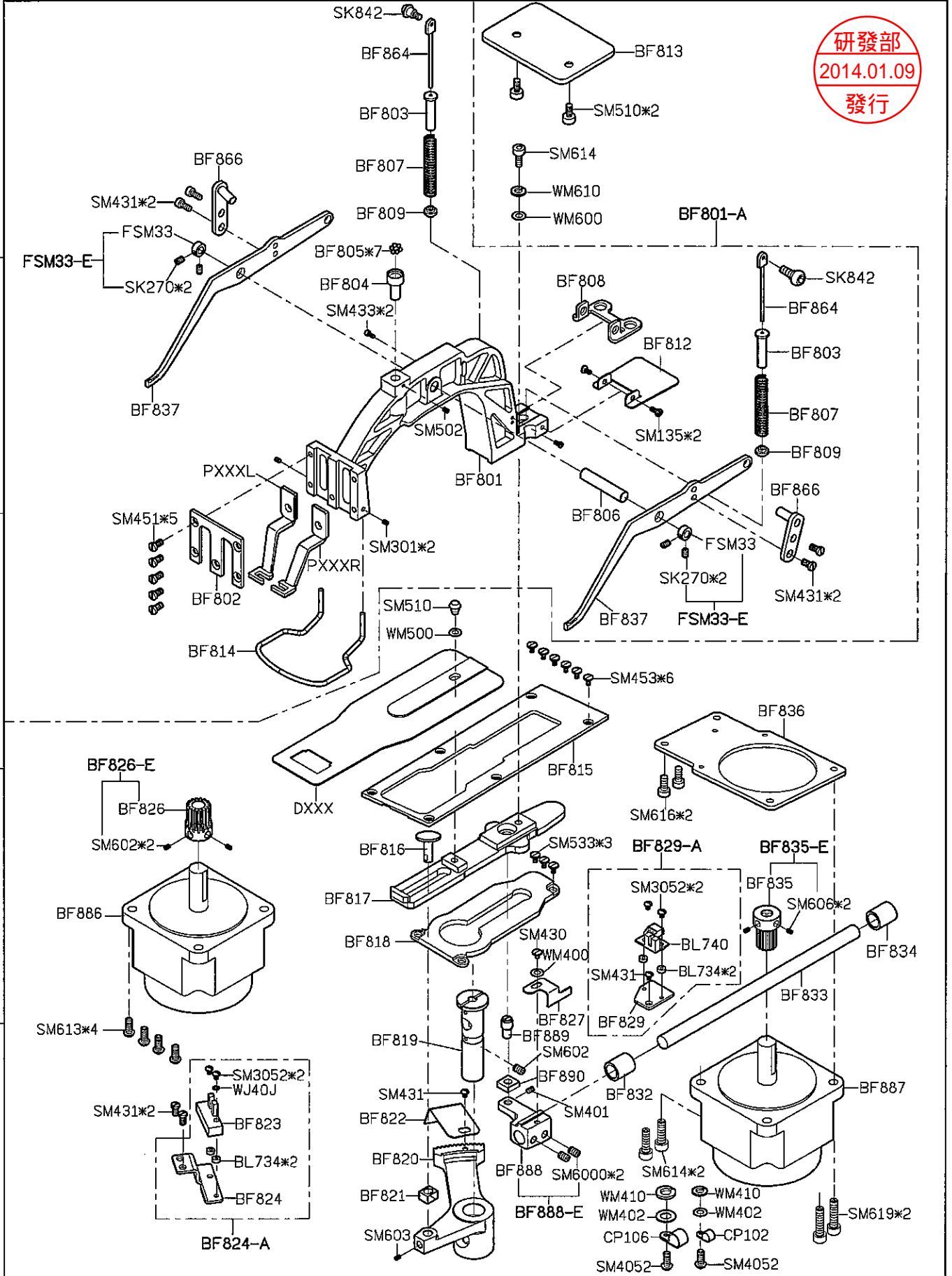
A

B

C

D

E



1

2

3

4

5

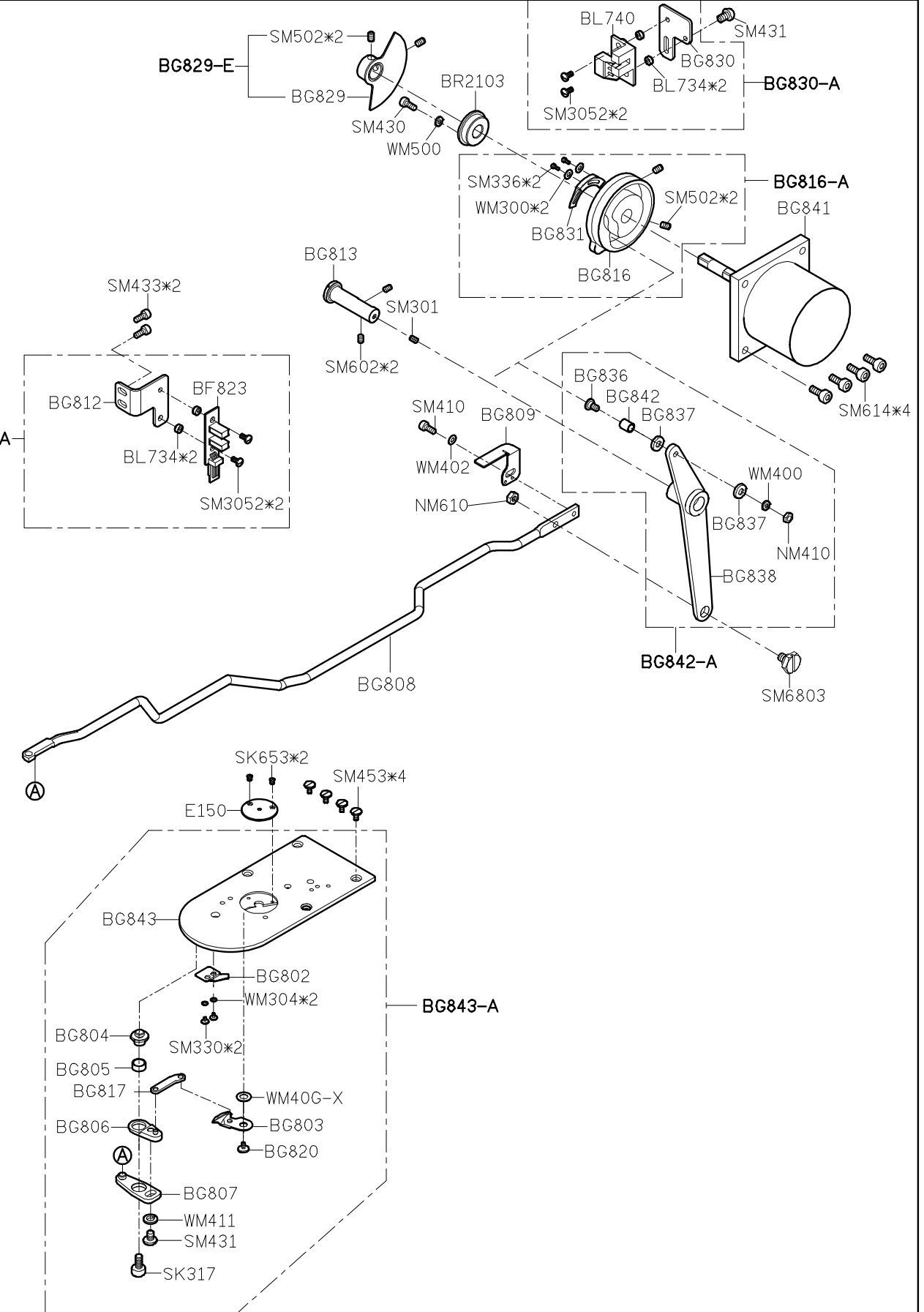
A

B

C

D

E



1

2

3

4

5

SIRUBA PARTS LIST	Series	Parts Group	Subclass / Remark	Page
	BT290	BG	*: Use for BT290-DS	1/1
				Date
				2012/09/29

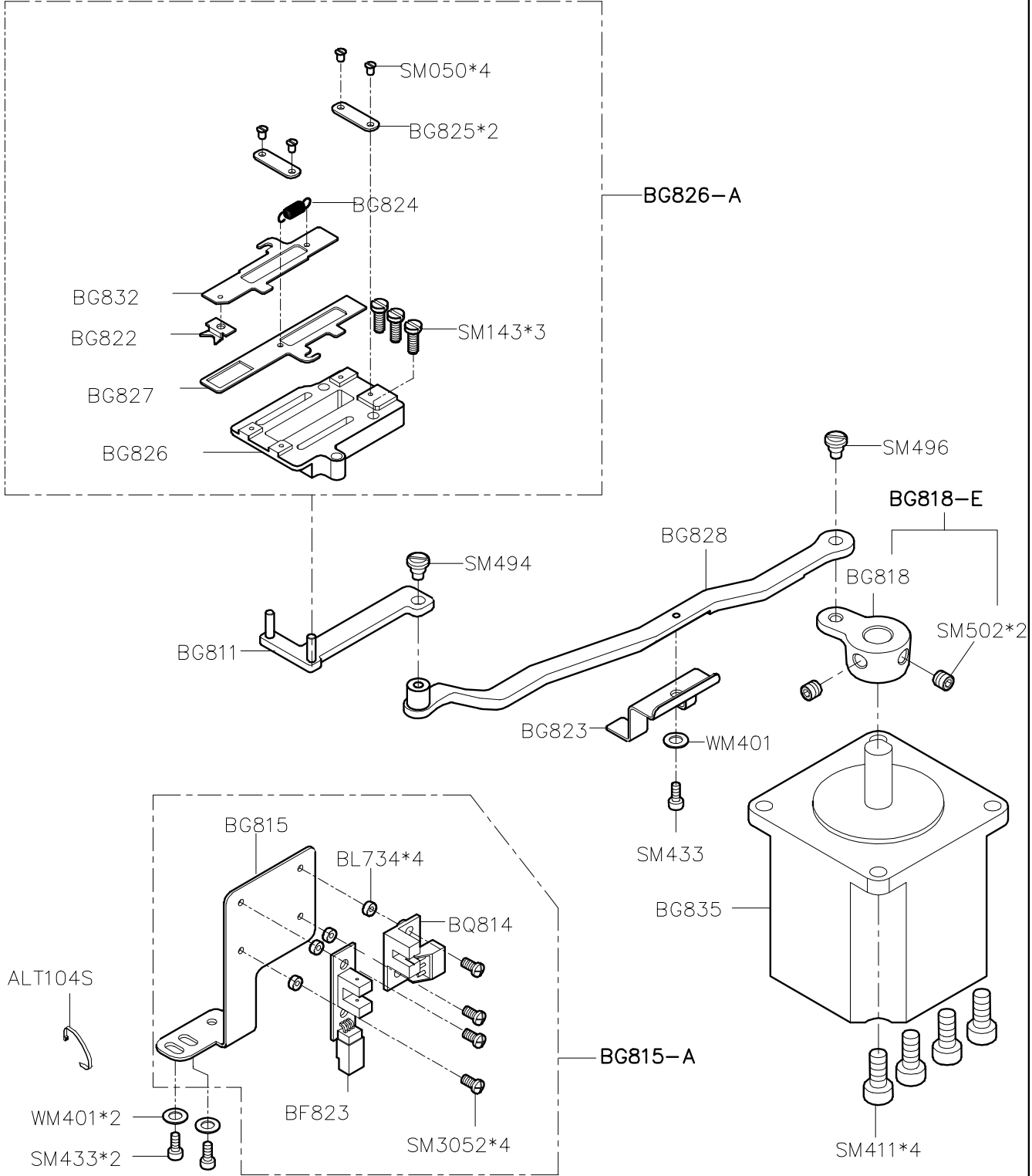
A

B

C

D

E



1

2

3

4

5

SIRUBA PARTS LIST	Series	Parts Group	Subclass / Remark	Page
	BT290	BQ		1/5
				Date
				2012/08/22

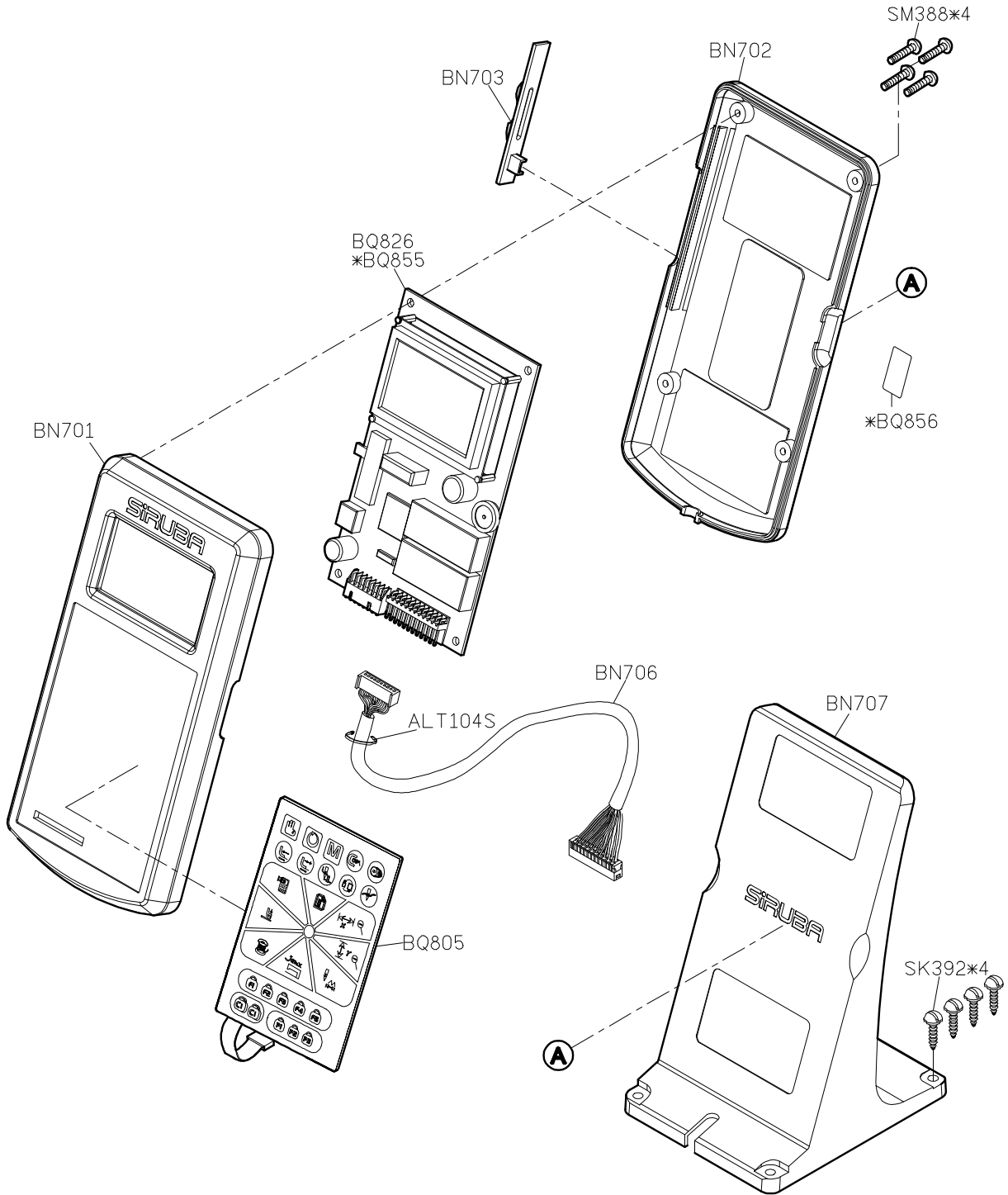
A

B

C

D

E



1

2

3

4

5

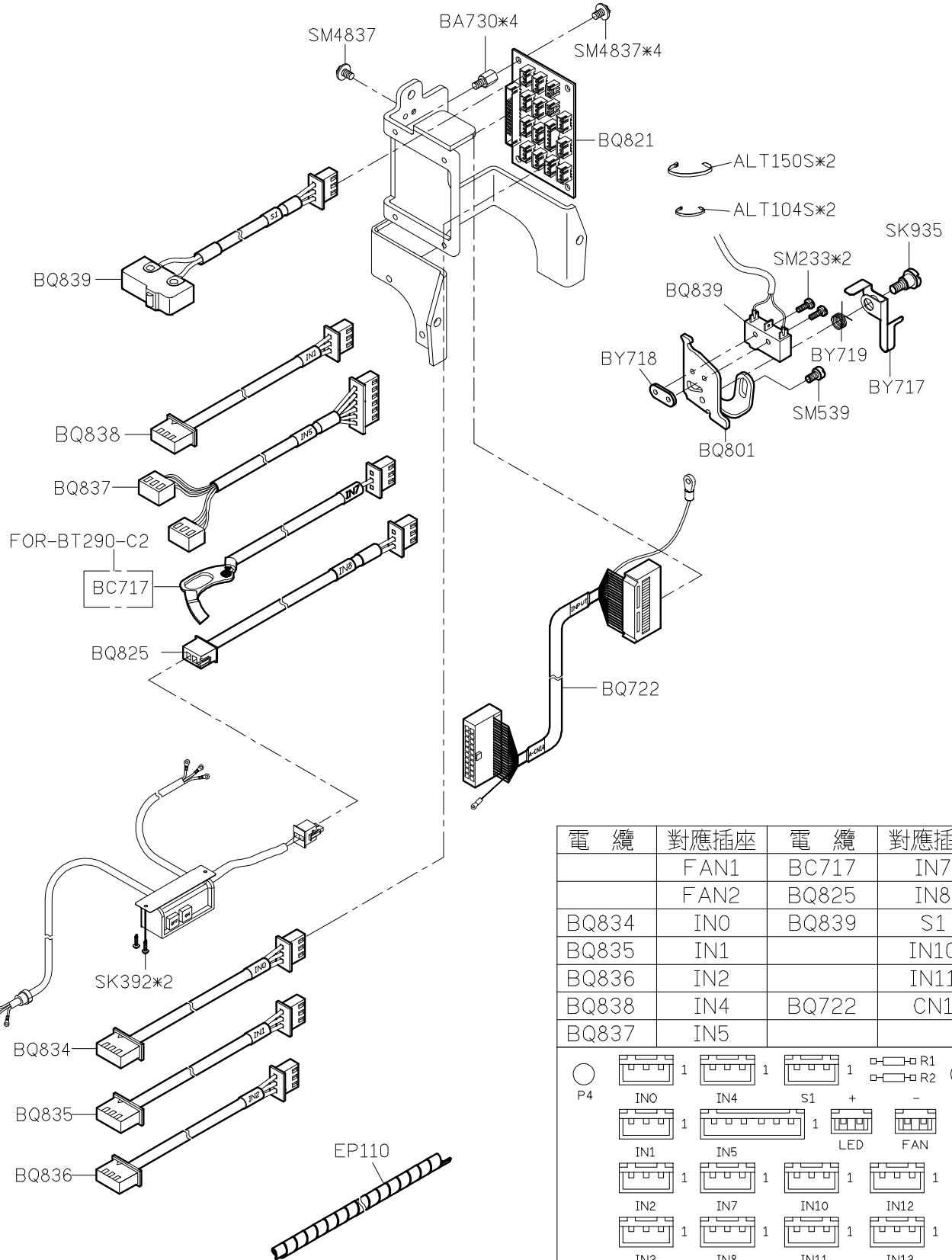
A

B

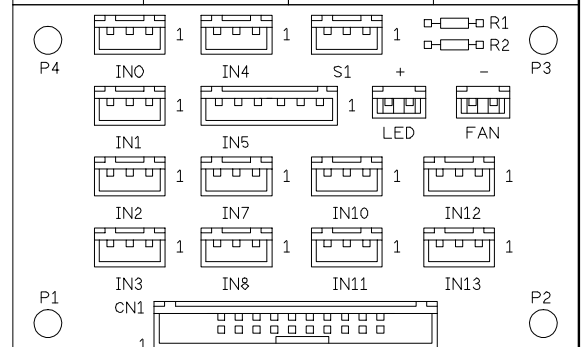
C

D

E



電 纜	對 應 插 座	電 纜	對 應 插 座
	FAN1	BC717	IN7
	FAN2	BQ825	IN8
BQ834	IN0	BQ839	S1
BQ835	IN1		IN10
BQ836	IN2		IN11
BQ838	IN4	BQ722	CN1
BQ837	IN5		



1

2

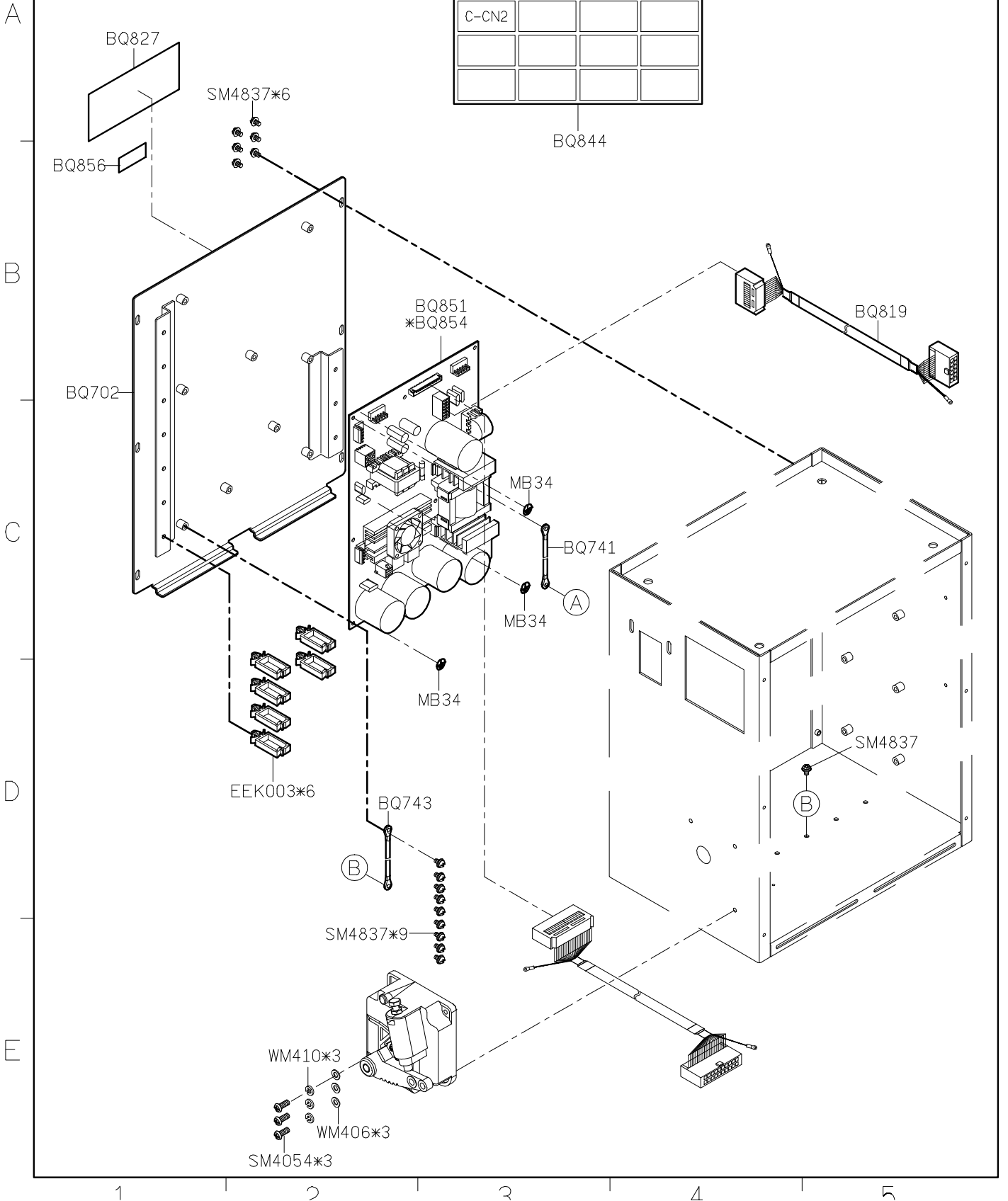
3

4

5

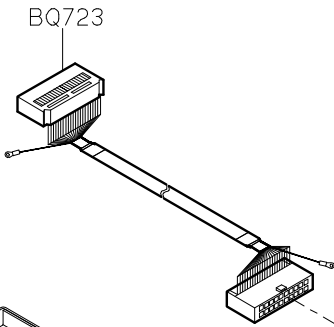
A-CN1	A-CN3	A-CN6	A-CN11
A-CN18	A-CN22	B-CN2	B-CN6
C-CN2			

BQ844

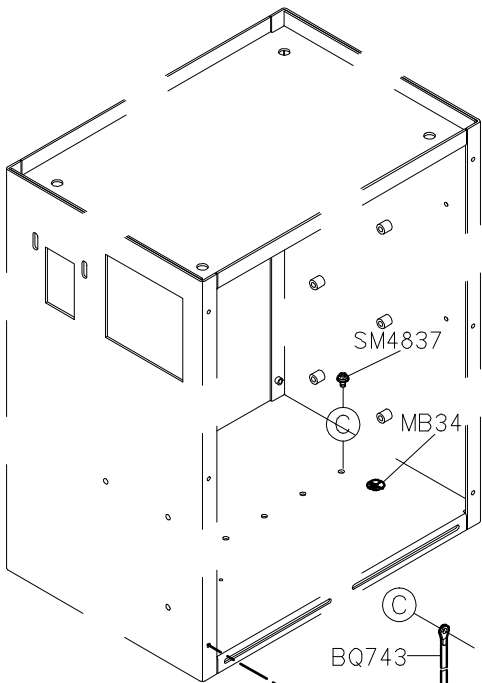


SIRUBA PARTS LIST	Series	Parts Group	Subclass / Remark	Page
	BT290	BQ		5/5
				Date
				2012/08/22

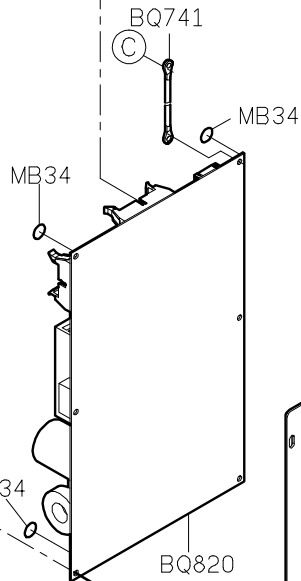
A



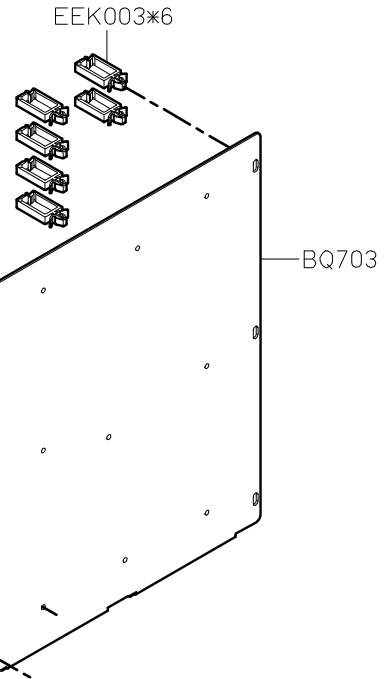
B



C



D



E

1





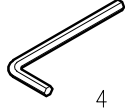
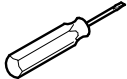

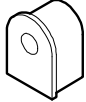

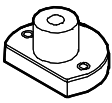


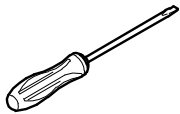

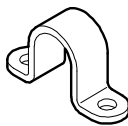
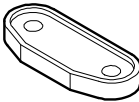
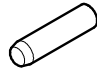





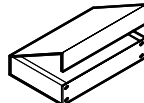

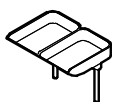
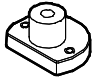





2

3

4

5

SIRUBA PARTS LIST	Series	Parts Group	Subclass / Remark	Page
	BT290	BY	*: Use for BT290-A1	1/2
				Date
				2012/08/22

A	BY804 	BY805*2 	BY806 	BY808 	MY12 	MY13 
B	MY01 	BY301*2 	KY16 	BY123 	LY37-A 	KY18 
C	KY17 	GXXX*2 	BY302*2 	BY303*2 	BA304*2 	KZ03*3 
D	針*2 	BY503 	KY05-A 	KY201 	KZ23 	KY03 
E	*BY124 	*BY123 	BY807 	ANC08*4 	FU102 	FU103 
	FU201 					
	1	2	3	4	5	

SIRUBA PARTS LIST	Series	Parts Group	Subclass / Remark	Page
	BT290	BY	Use for BT290-A1/A2	2/2
				Date
				2012/08/22

BY124-A

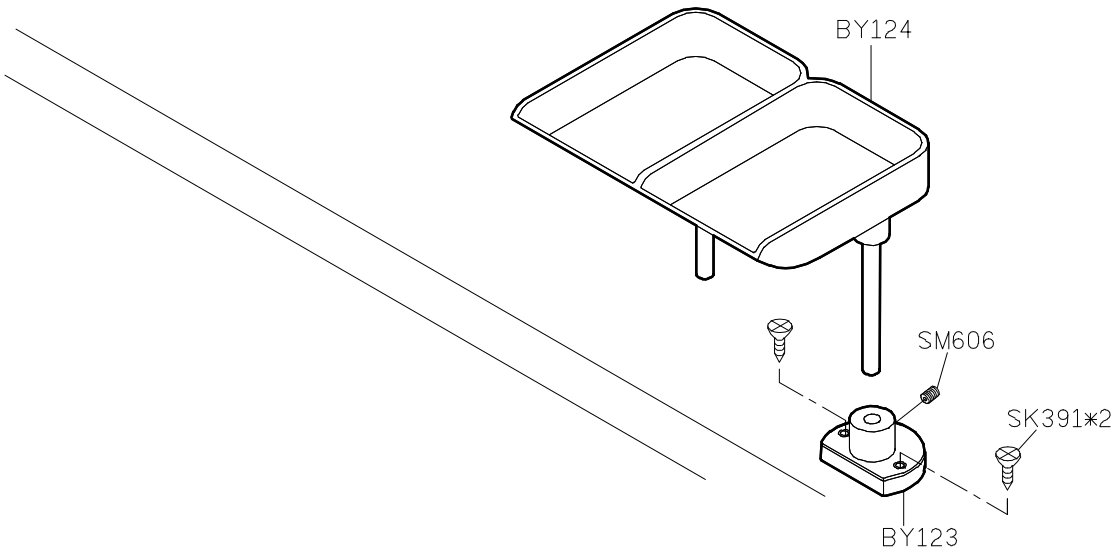
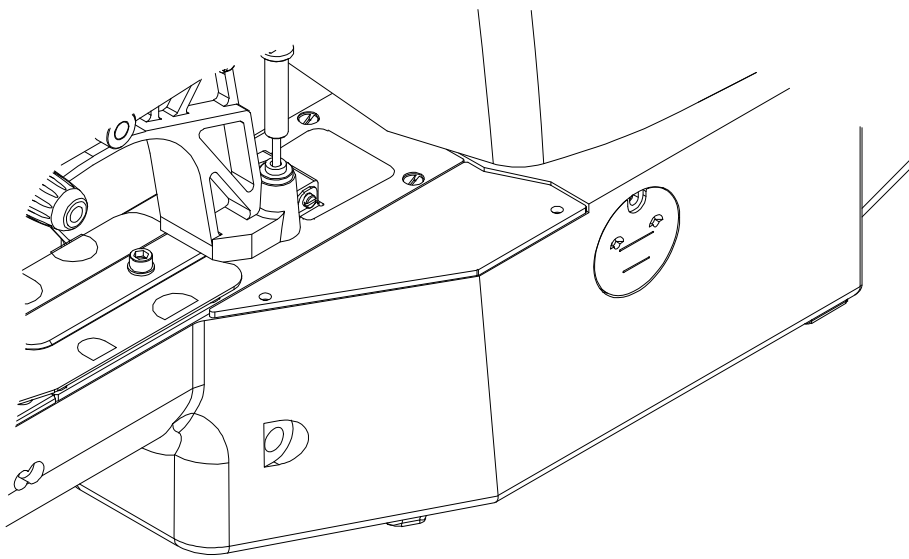
A

B

C

D

E



1

2

3

4

5

SIRUBA PARTS LIST	Series	Parts Group	Subclass / Remark	Page
	BT290	BZ		1/2
				Date
				2012/08/22

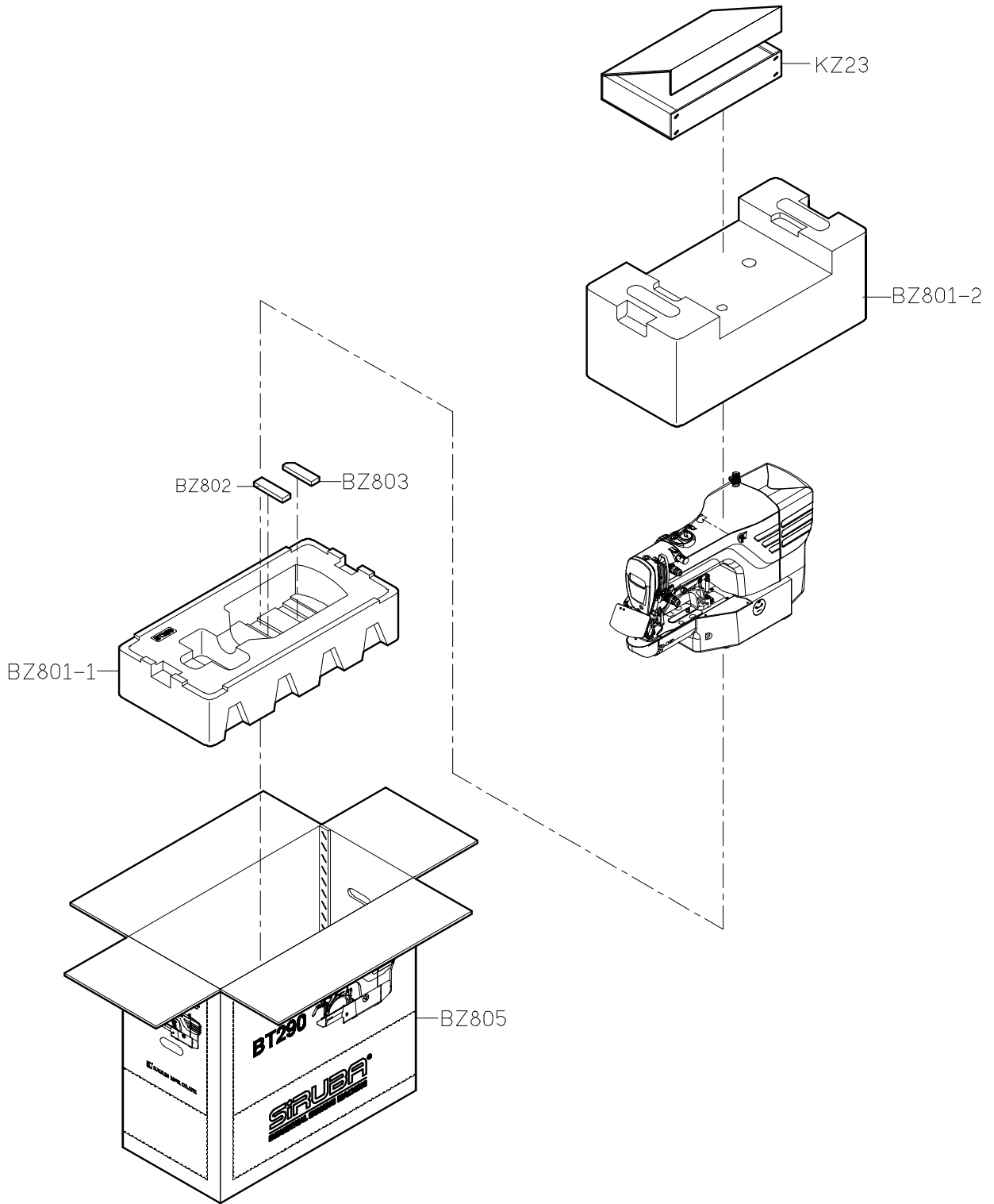
A

B

C

D

E



1

2

3

4

5

SIRUBA PARTS LIST	Series	Parts Group	Subclass / Remark	Page
	BT290	BZ		2/2
				Date
				2012/08/22

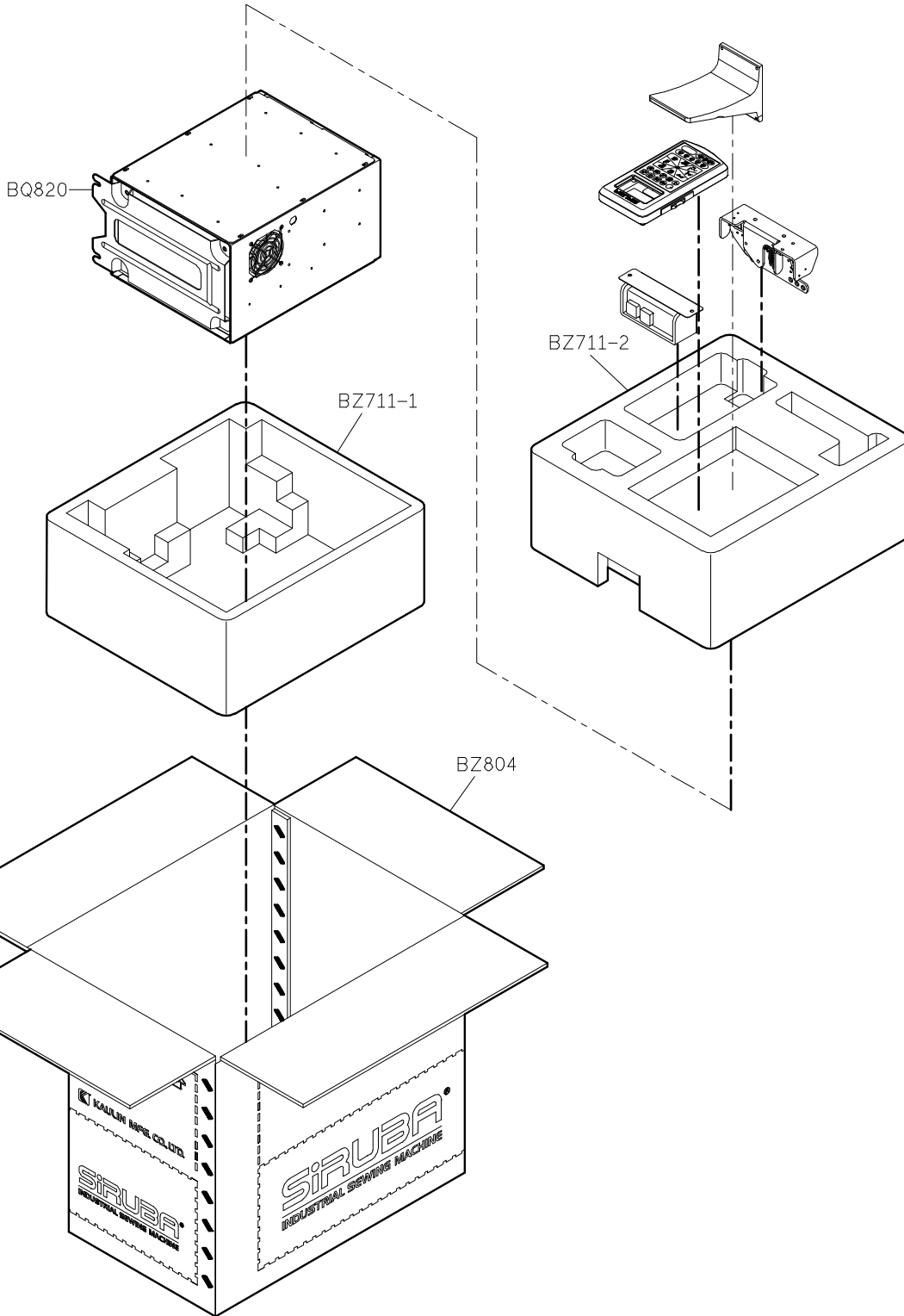
A

B

C

D

E



1

2

3

4

5

SIRUBA PARTS LIST	Series	Parts Group	Subclass / Remark	Page
	BT290	CS		1/1
				Date
				2012/08/22

A

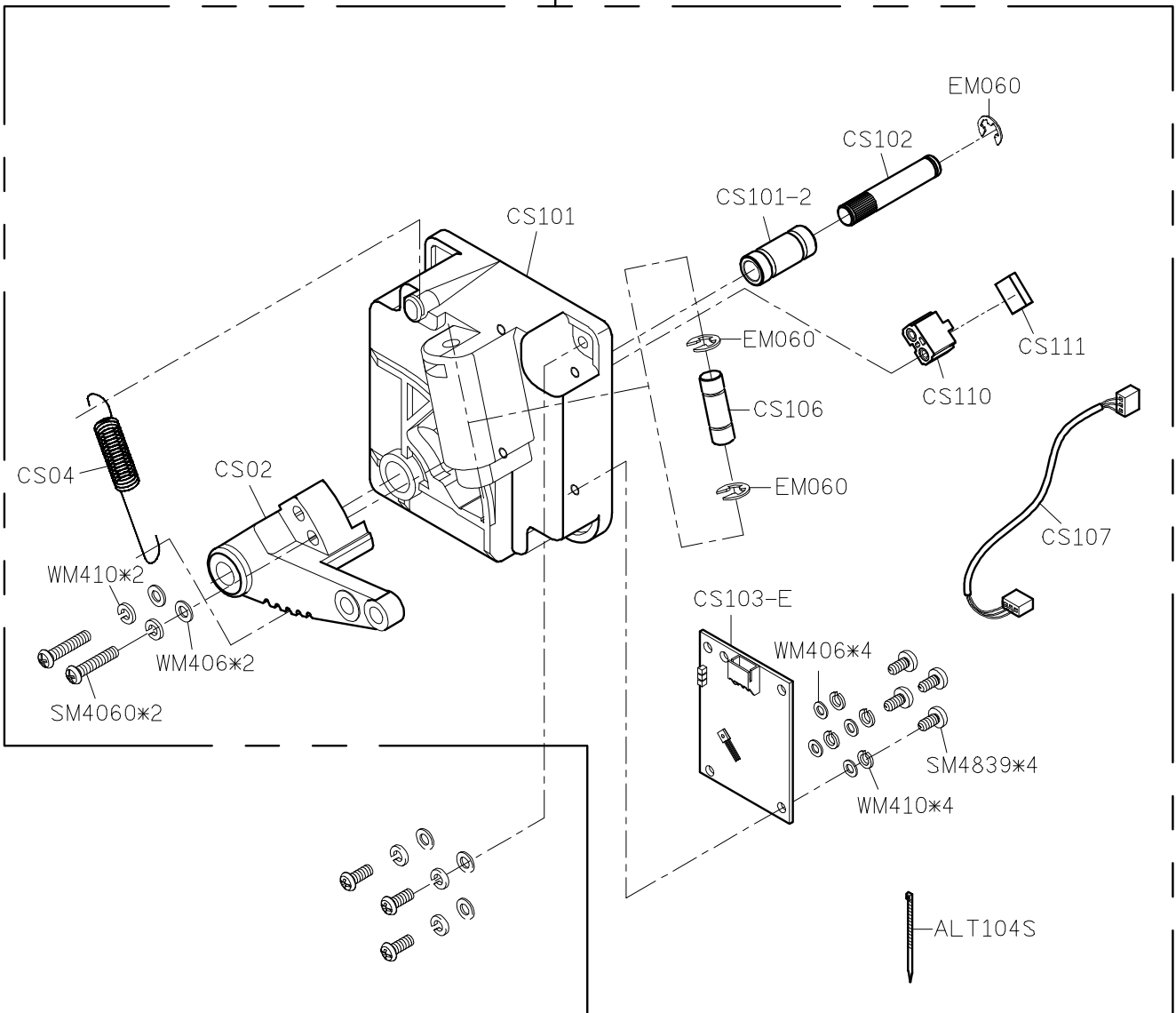
CS101-A

B

C

D

E



1

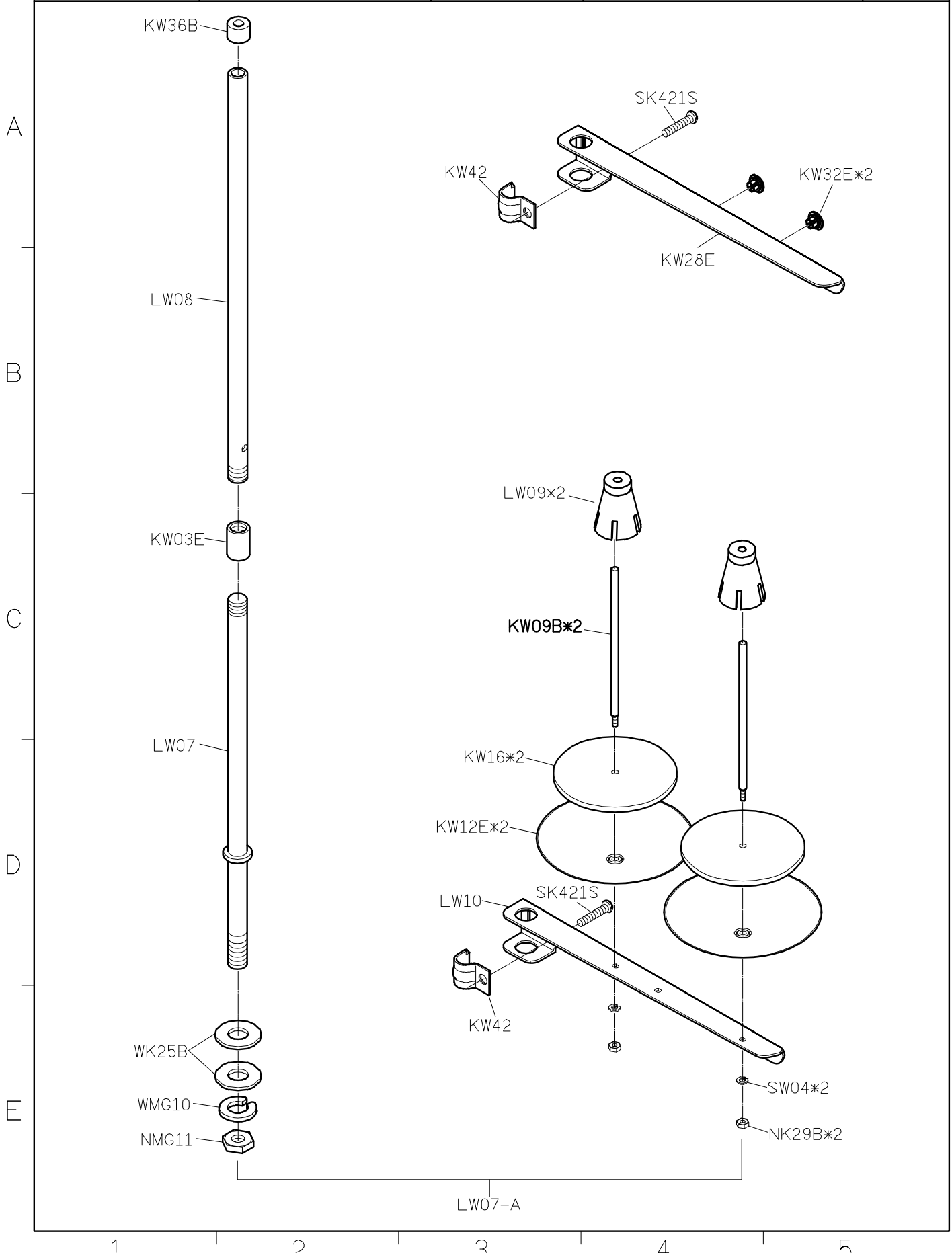
2

3

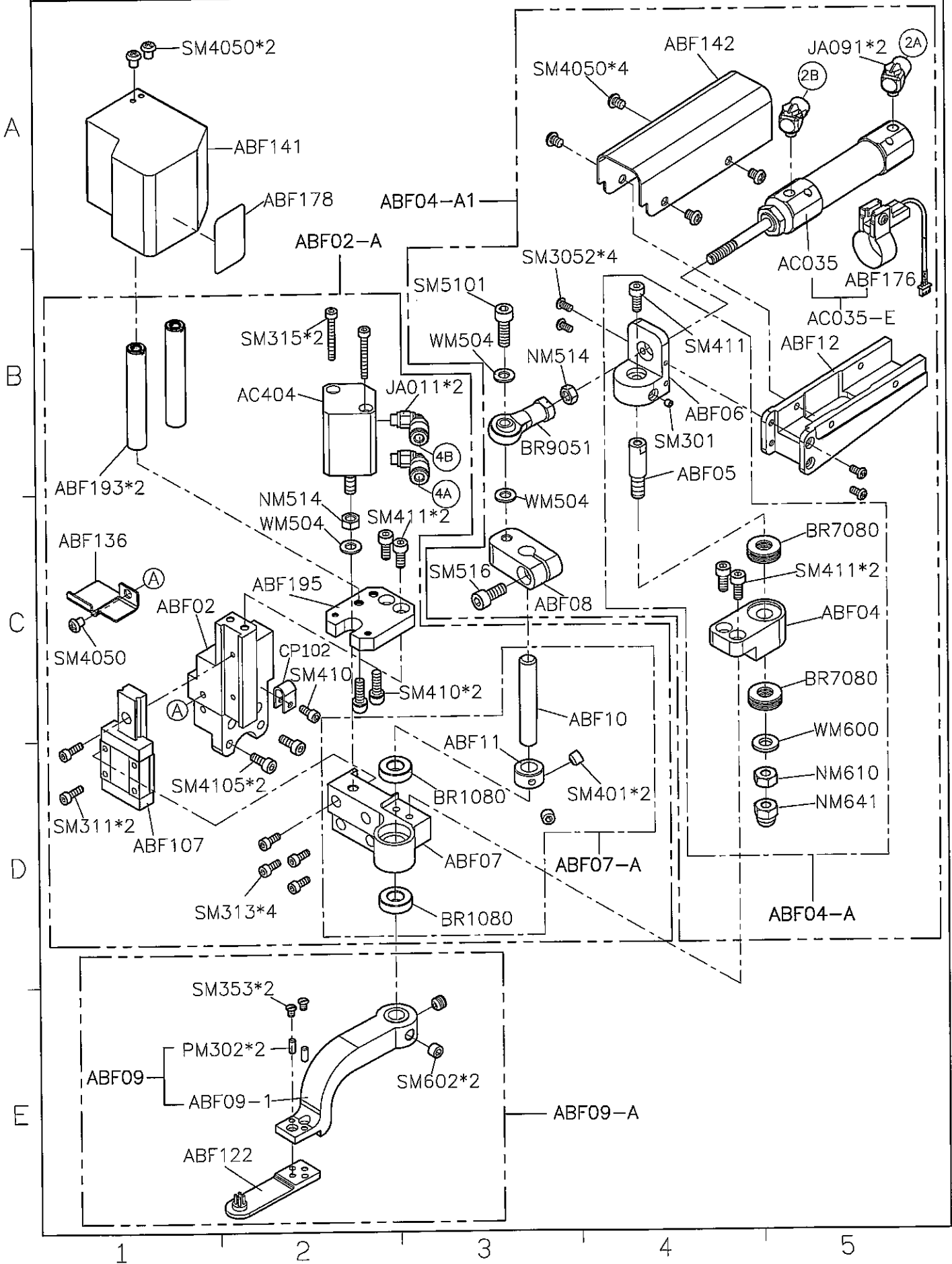
4

5

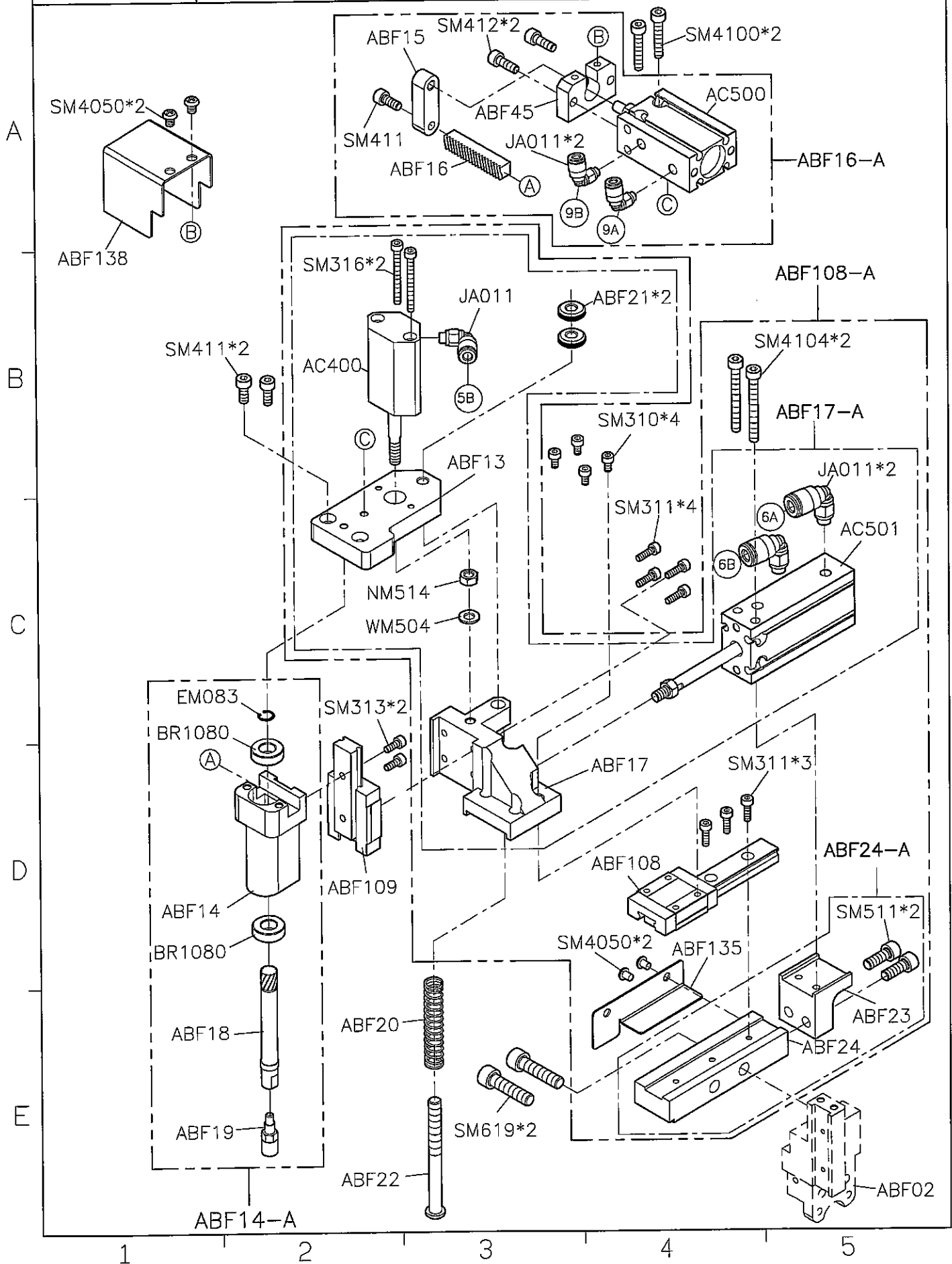
SIRUBA PARTS LIST	Series	Parts Group	Subclass / Remark	Page
	BT290	LW		1/1
				Date
				2012/08/22



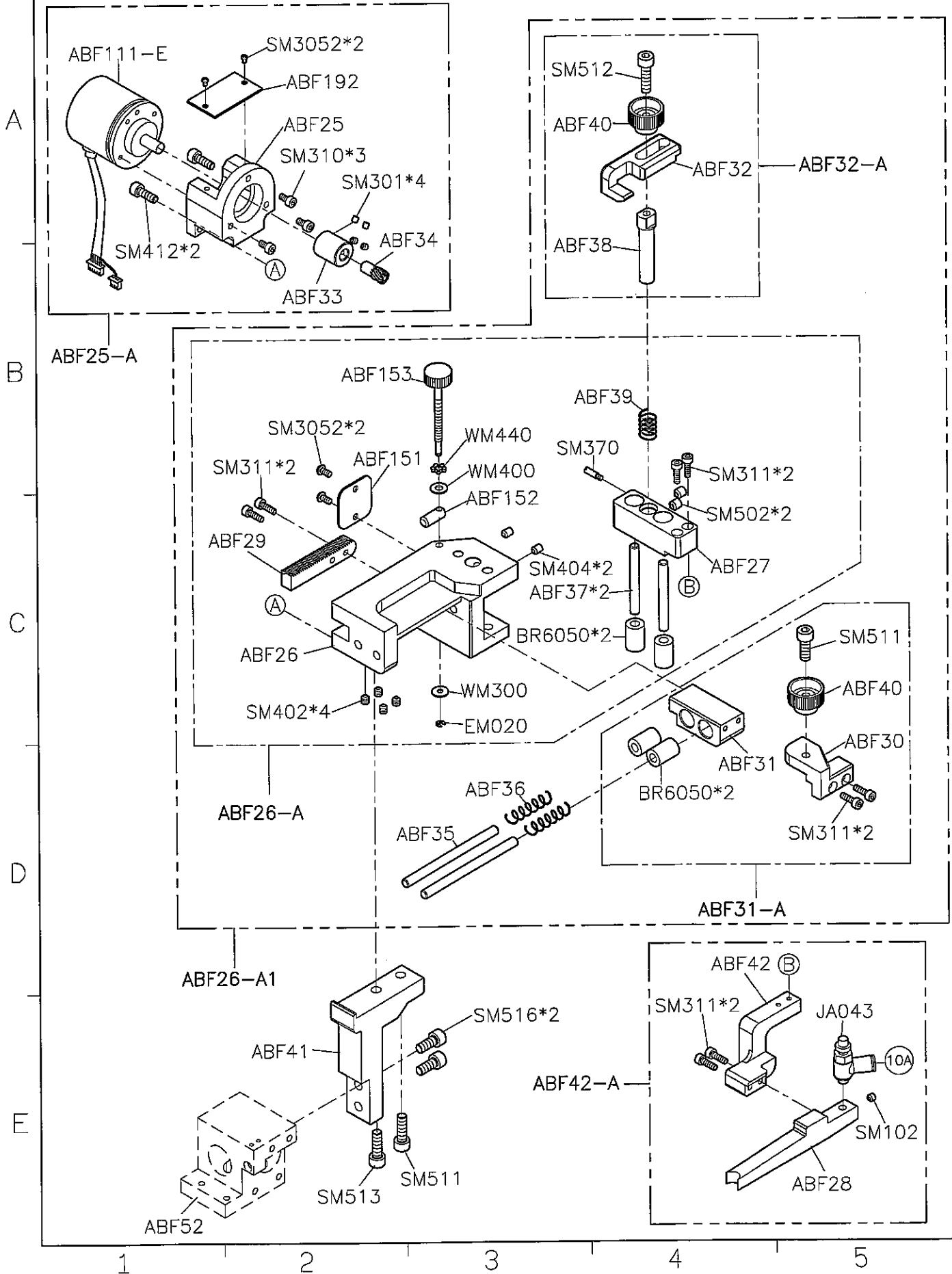
SIRUBA	Series	Parts Group	Subclass Remark	Page
	PARTS LIST	BT290	ABF	<div style="border: 1px solid red; border-radius: 50%; padding: 5px; display: inline-block;"> 研發部 2012.09.03 發行 </div>



SIRUBA	Series	Parts Group	Subclass Remark	Page
	PARTS LIST	BT290	ABF	研發部 2012.09.03 發行



SIRUBA	Series	Parts Group	Subclass Remark	Page
	PARTS LIST	BT290	ABF	研發部 2012.09.03 發行



SIRUBA	Series	Parts Group	Subclass Remark	Page
	BT290	ABF		4/14
PARTS LIST				Date
				2012/08/17

研發部
 2012.09.03
 發行

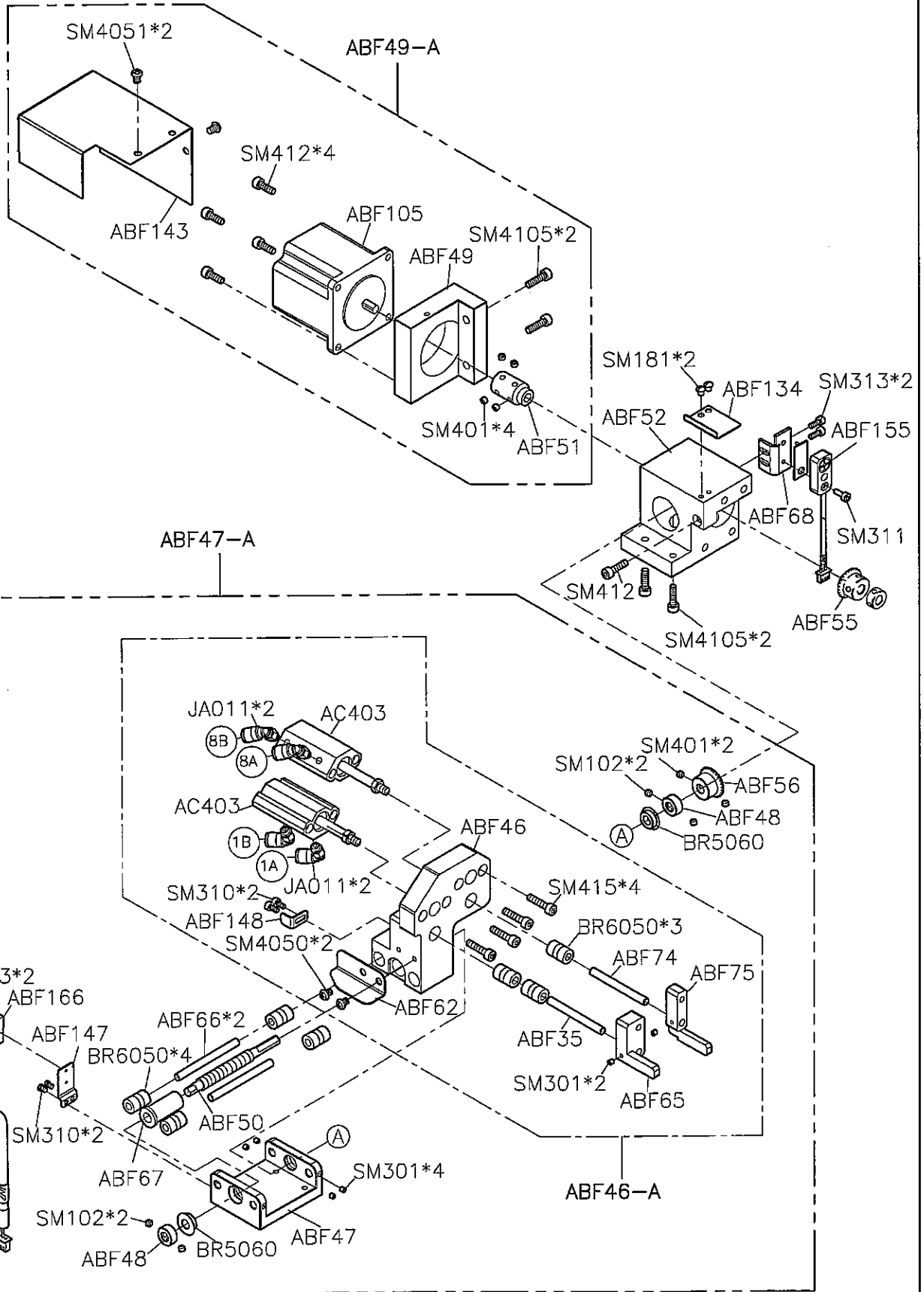
A

B

C

D

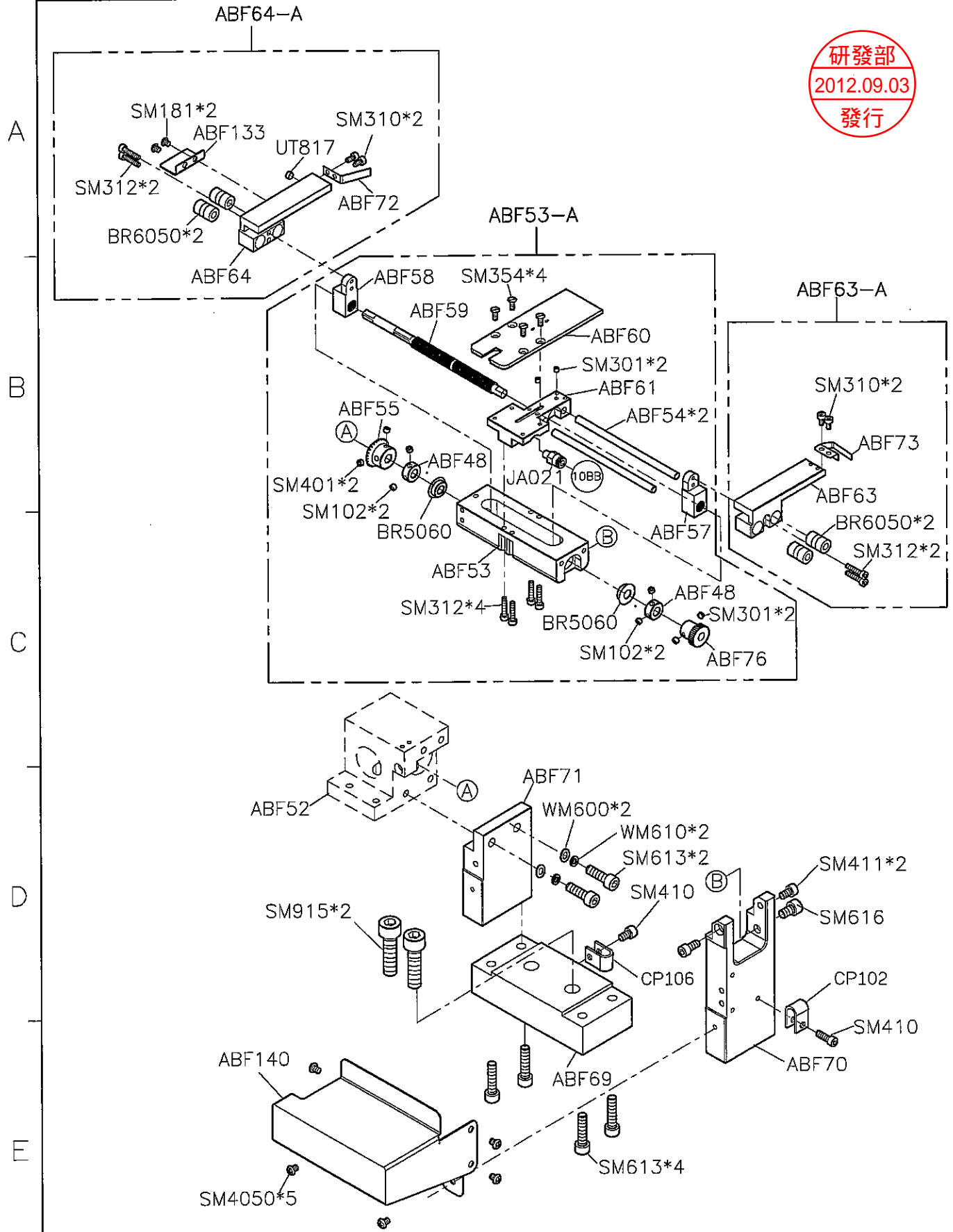
E



1 2 3 4 5

SIRUBA PARTS LIST	Series	Parts Group	Subclass Remark	Page
	BT290	ABF		5/14
				Date
				2012/08/17

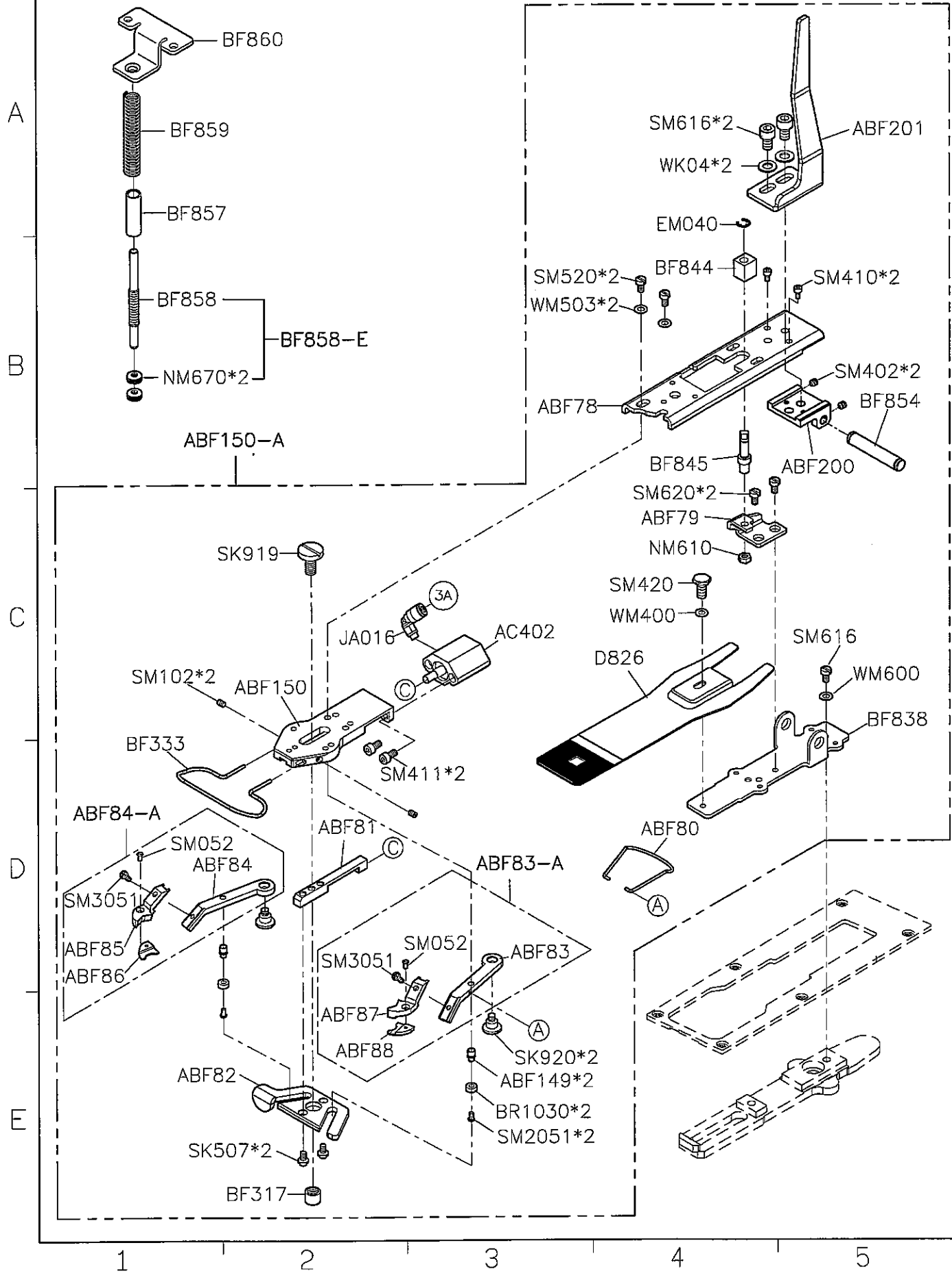
研發部
 2012.09.03
 發行



1 2 3 4 5

SIRUBA	Series	Parts Group	Subclass Remark	Page
	BT290	ABF		6/14
PARTS LIST				Date
				2012/08/17

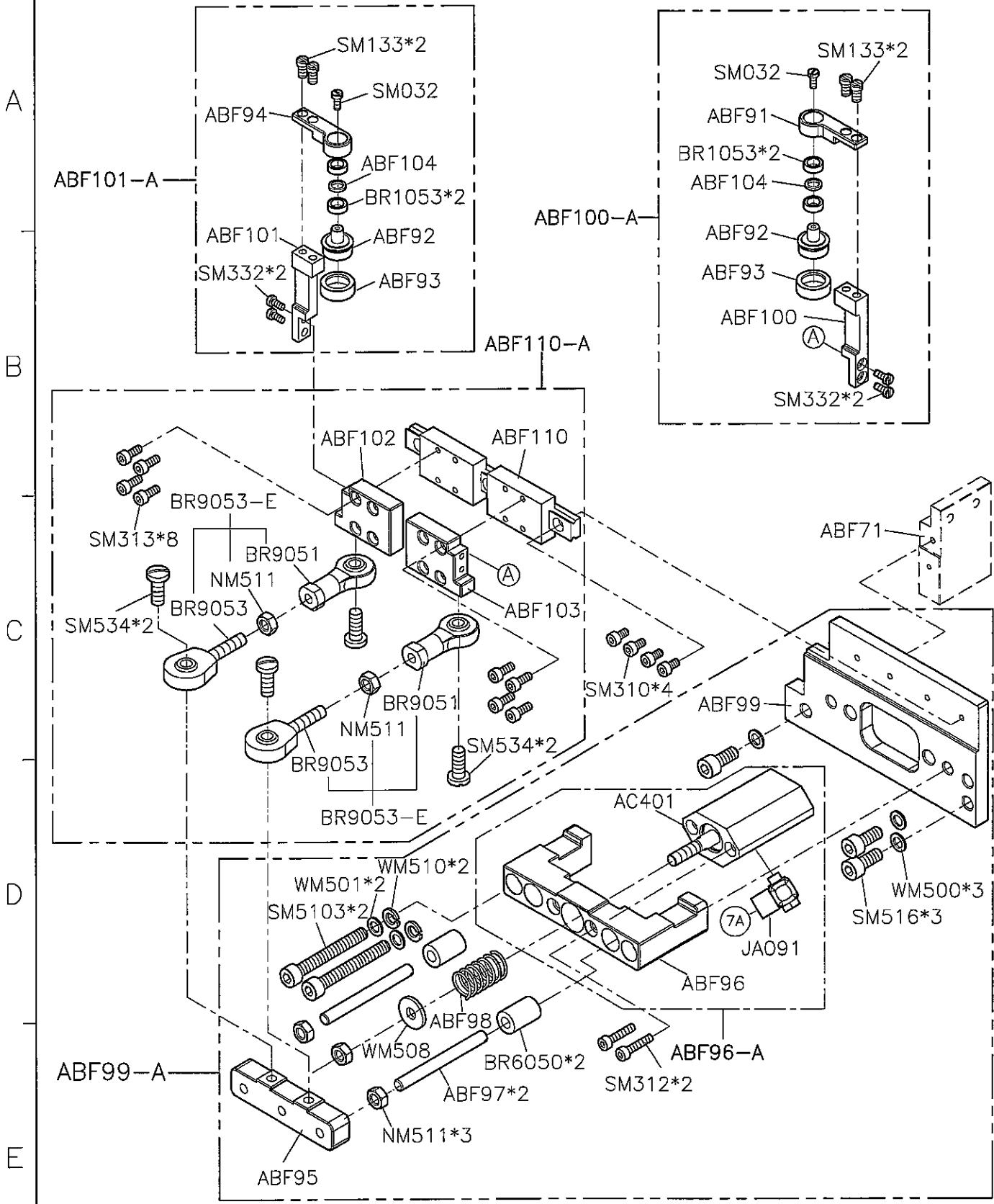
研發部
 2012.09.03
 發行



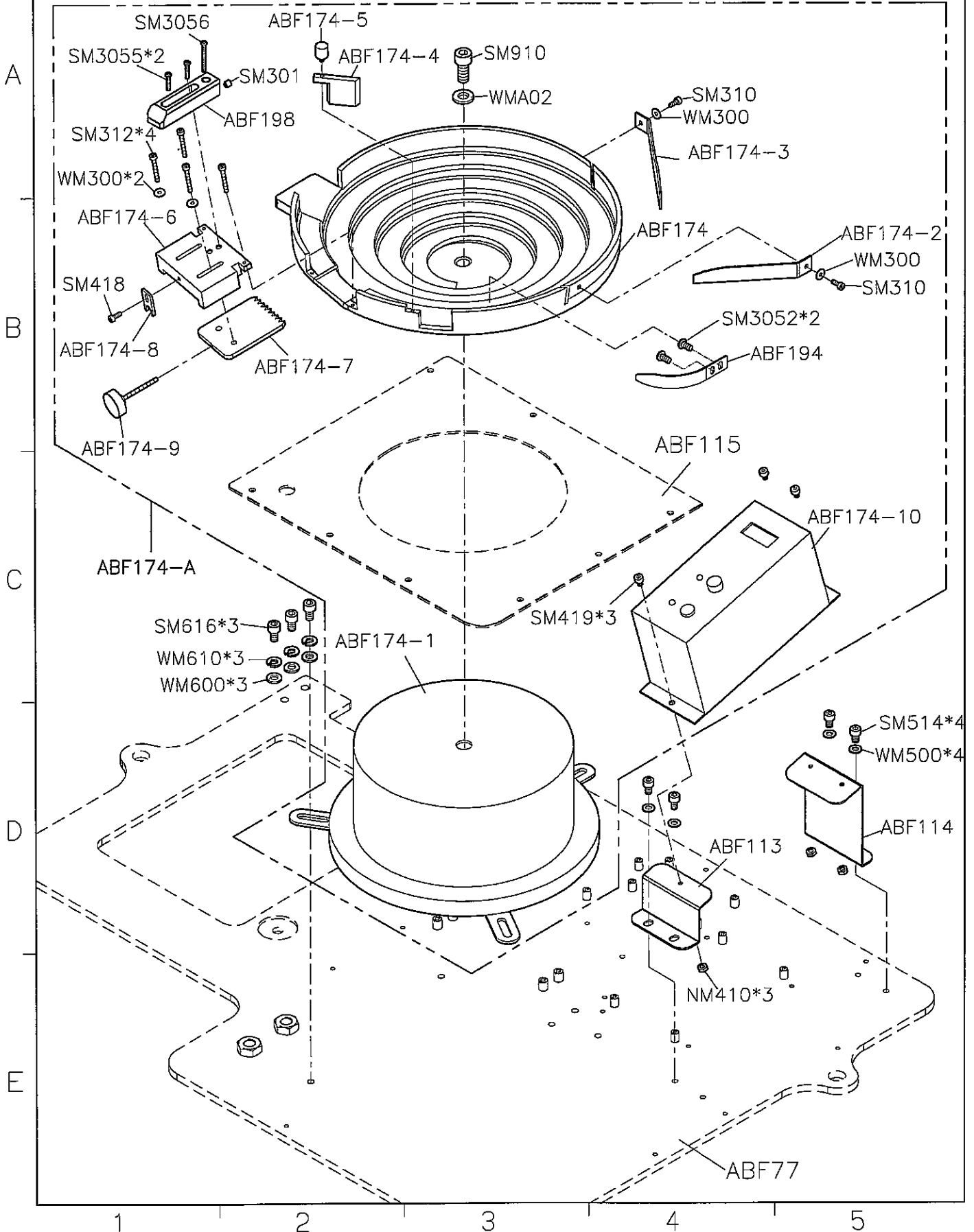
1 2 3 4 5

SIRUBA	Series	Parts Group	Subclass Remark	Page
	PARTS LIST	BT290	ABF	7/14
				Date
				2012/08/17

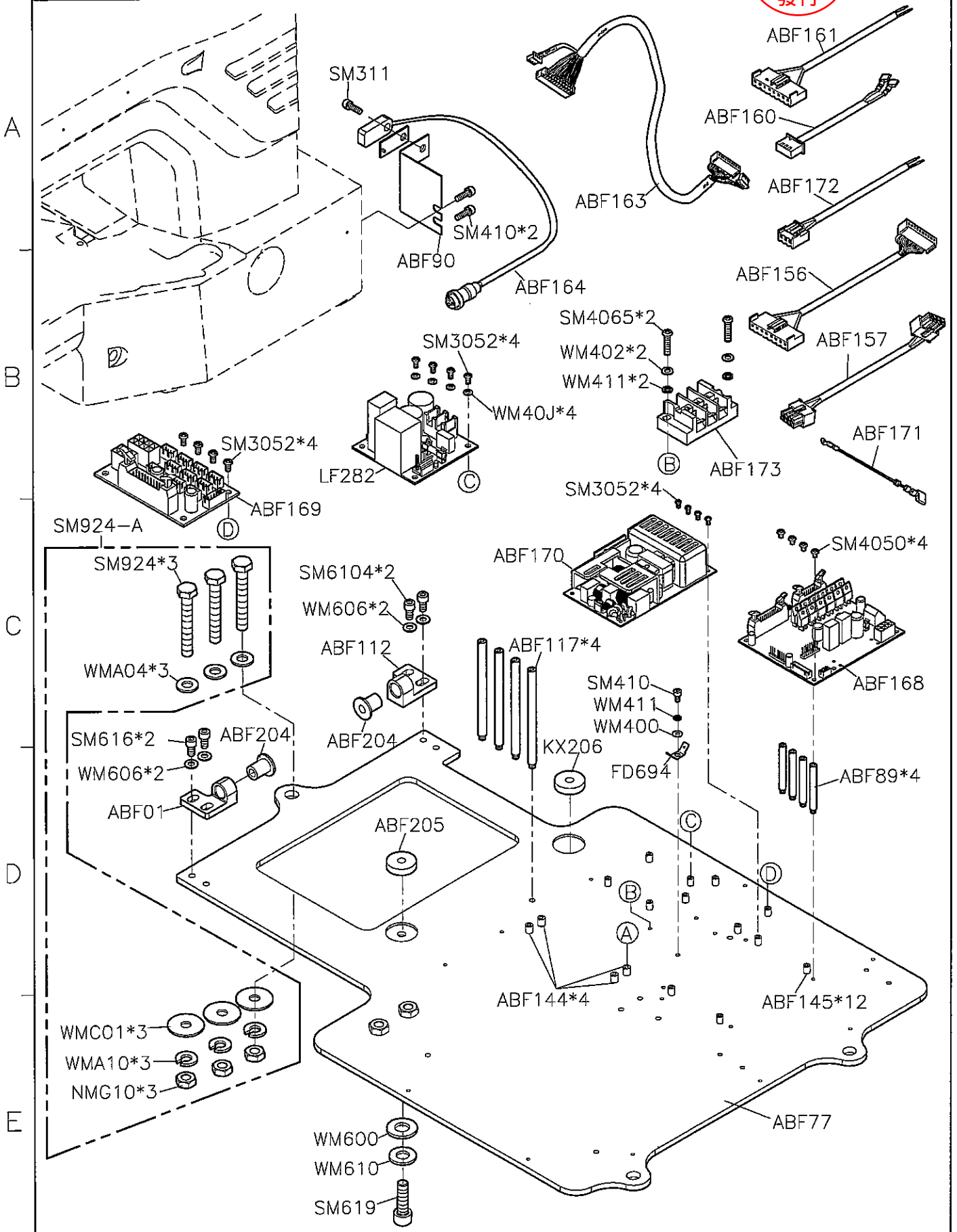
研發部
 2012.09.03
 發行



1 2 3 4 5



研發部
2012.09.03
發行



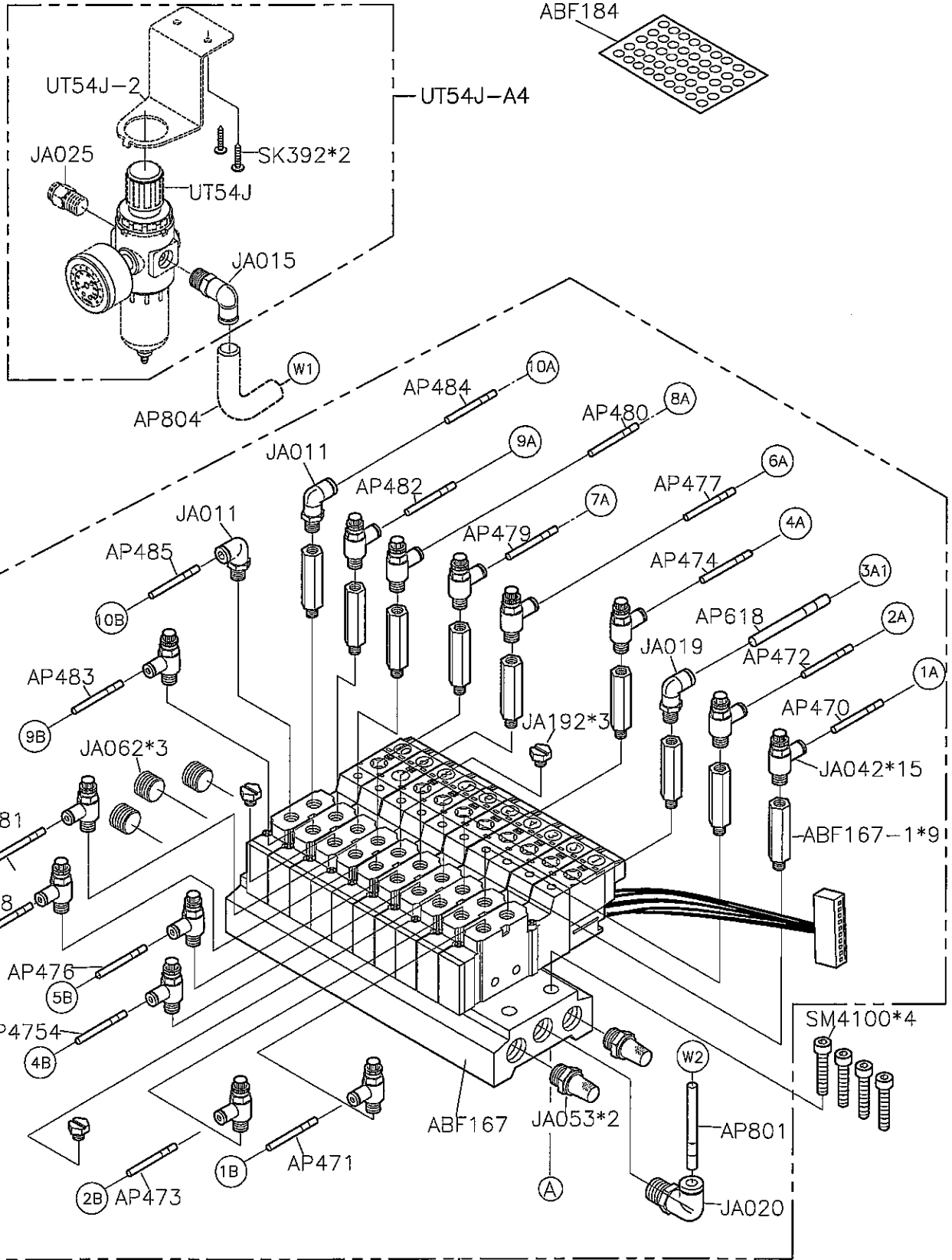
A

B

C

D

E



研發部
2012.09.03
發行

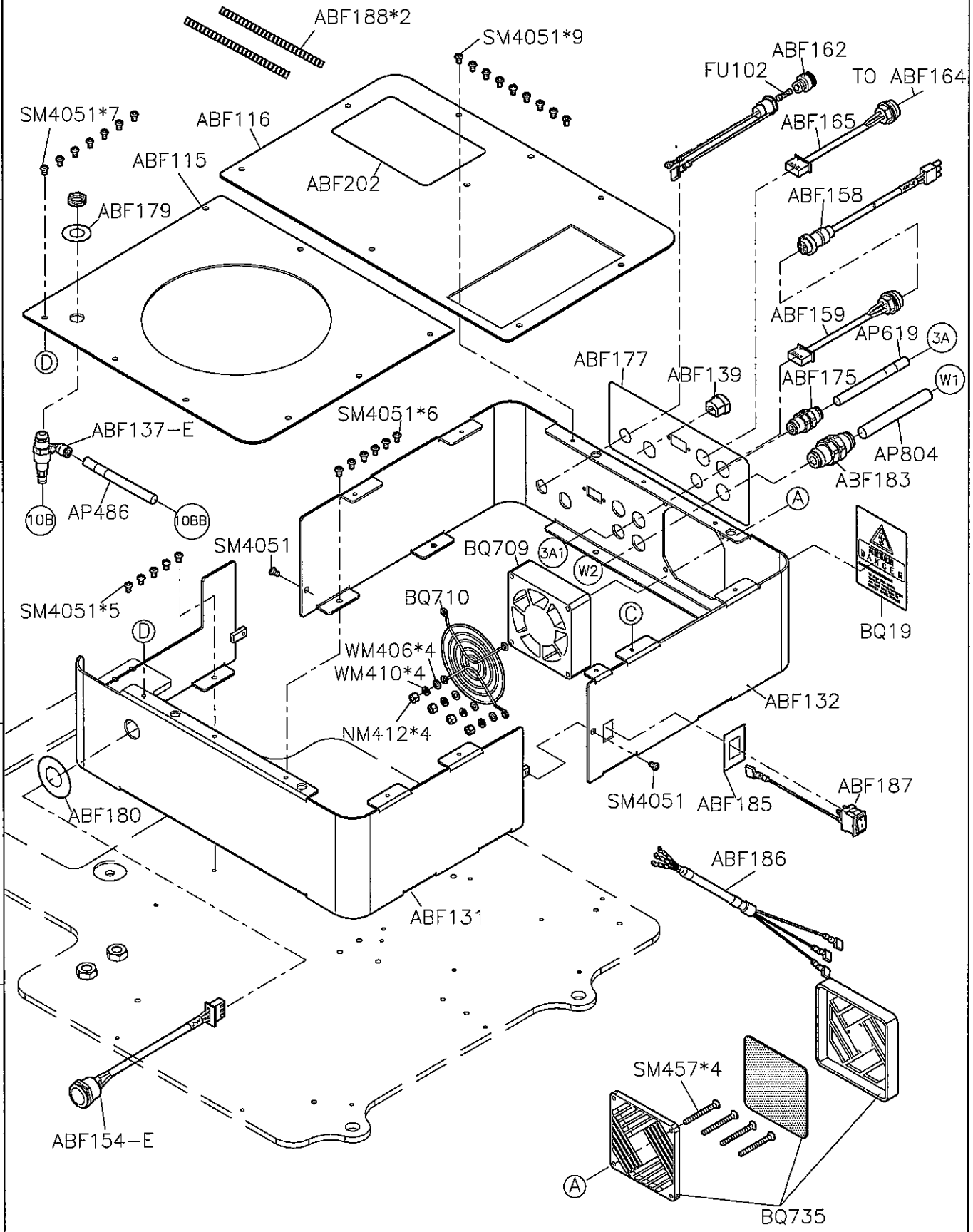
A

B

C

D

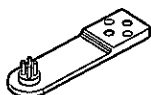
E



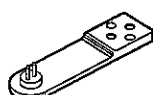
1 2 3 4 5

SIRUBA PARTS LIST	Series	Parts Group	Subclass Remark	Page
	BT290	ABF	研發部 2012.09.03 發行	12/14 Date: 2012/08/17

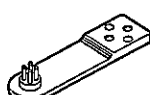
ABF118



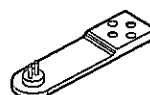
ABF119



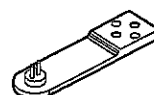
ABF120



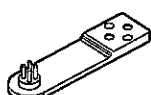
ABF121



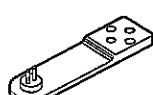
ABF123



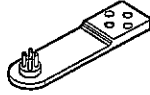
ABF124



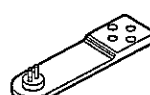
ABF125



ABF126



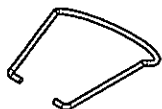
ABF127



ABF19*3



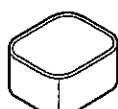
ABF80



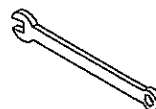
ABF93*4



ABF182



KY08*2



1

2

3

4

5

A

B

C

D

E

SIRUBA PARTS LIST	Series	Parts Group	Subclass Remark	Page
	BT290	ABF	<div style="border: 2px solid red; border-radius: 50%; padding: 5px; display: inline-block;"> 研發部 2012.09.03 發行 </div>	13/14 Date 2012/08/17

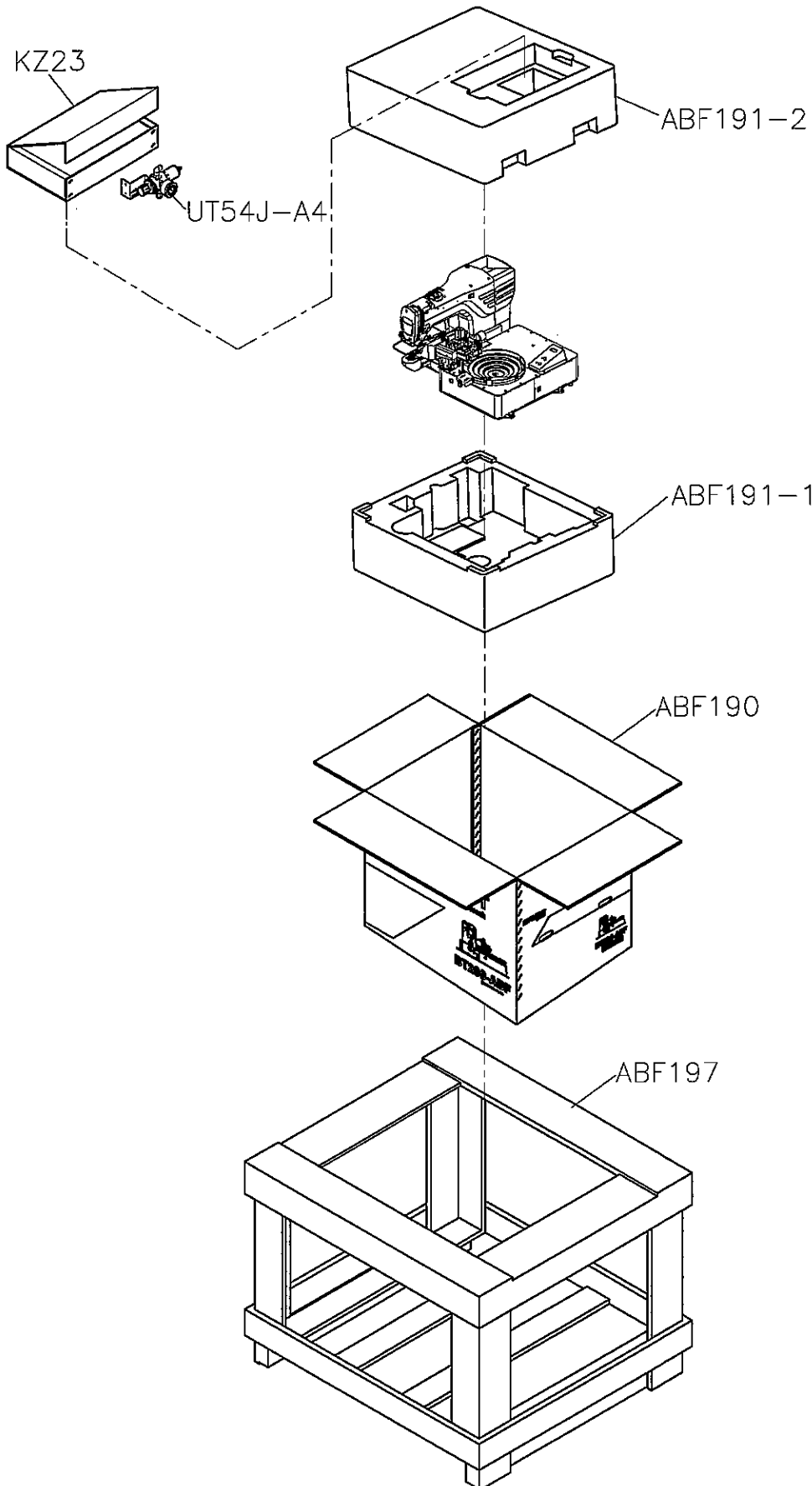
A

B

C

D

E



1

2

3

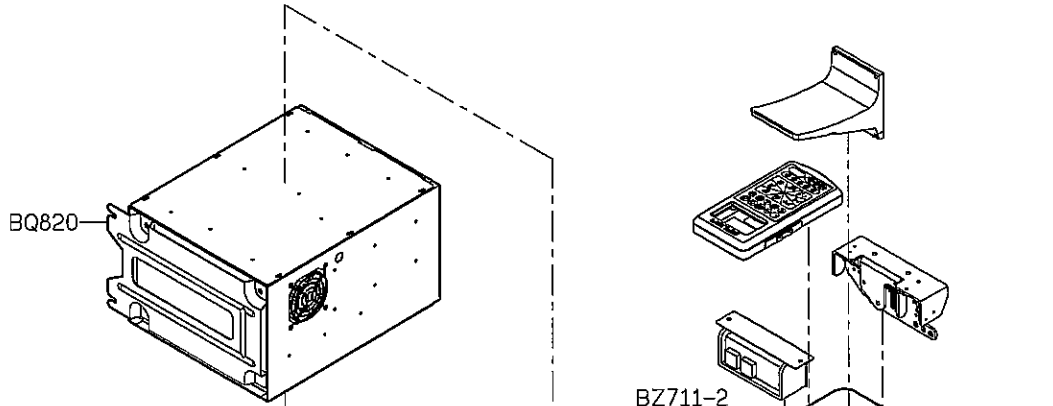
4

5

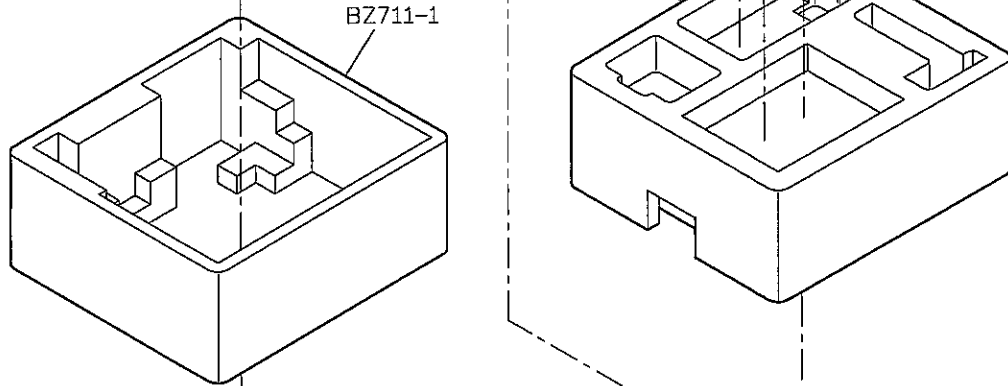
SIRUBA PARTS LIST	Series	Parts Group	Subclass Remark	Page
	BT290	ABF		14/14 Date 2012/08/17

研發部
 2012.09.03
 發行

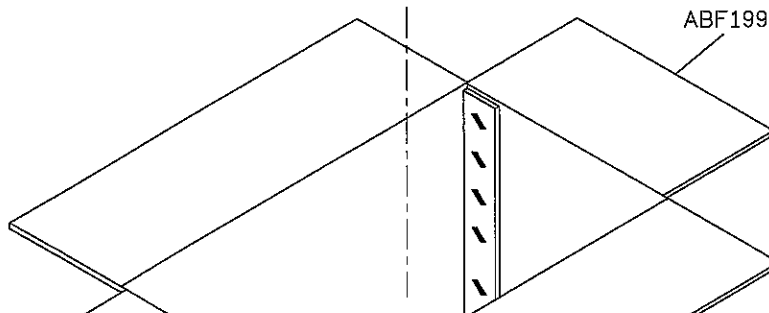
A



B

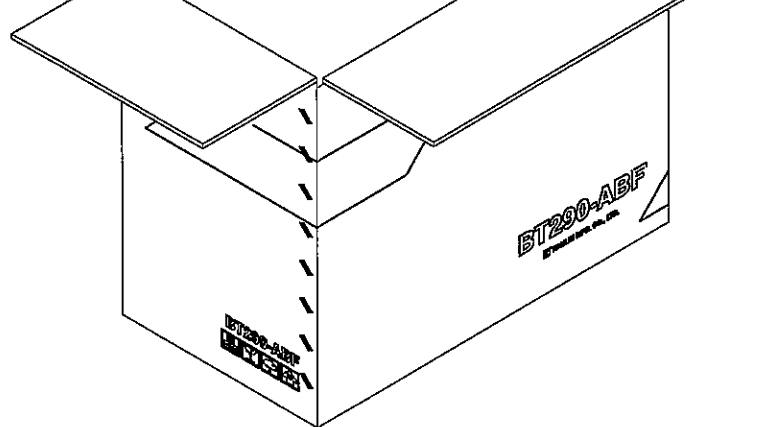


C



D

E



1

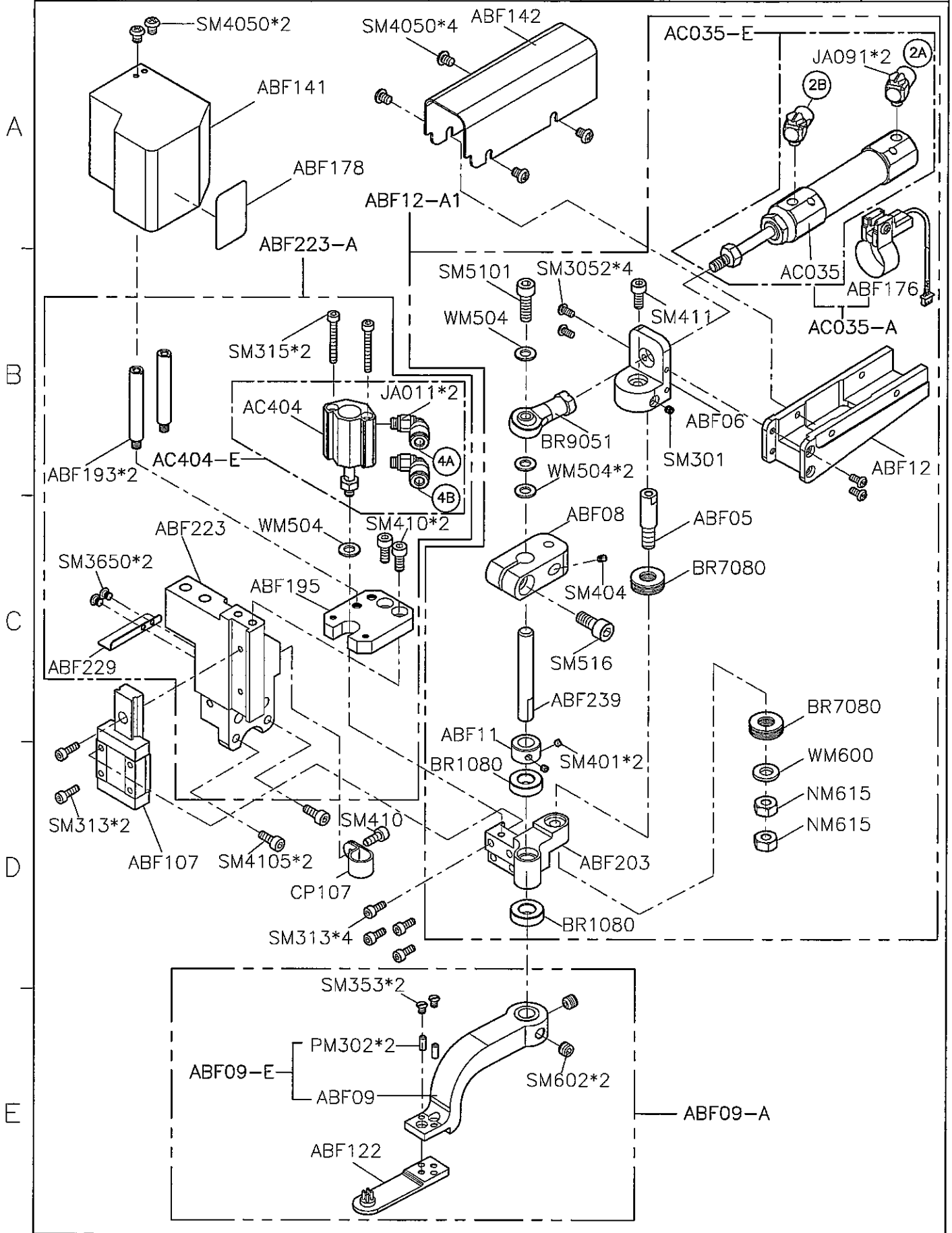
2

3

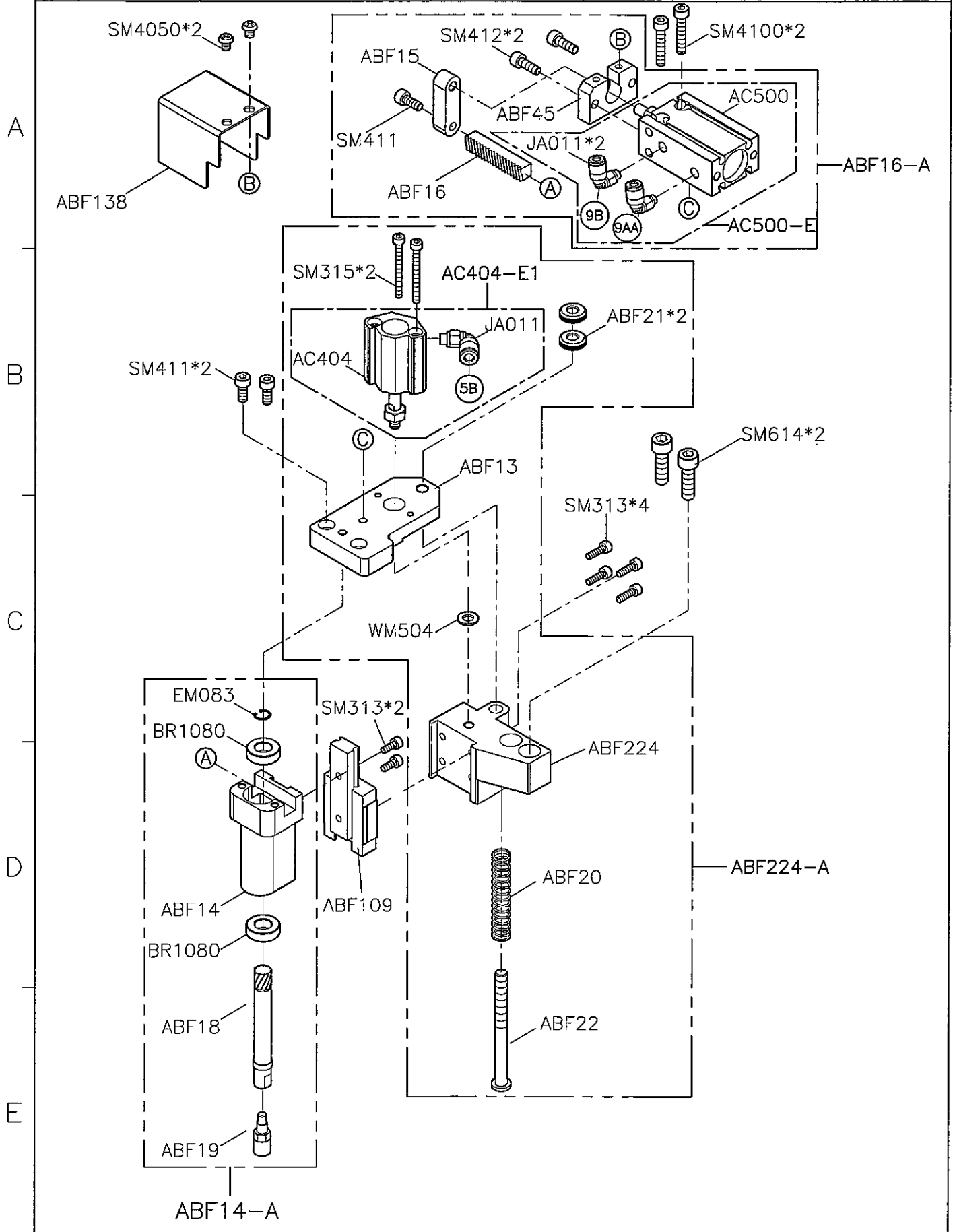
4

5

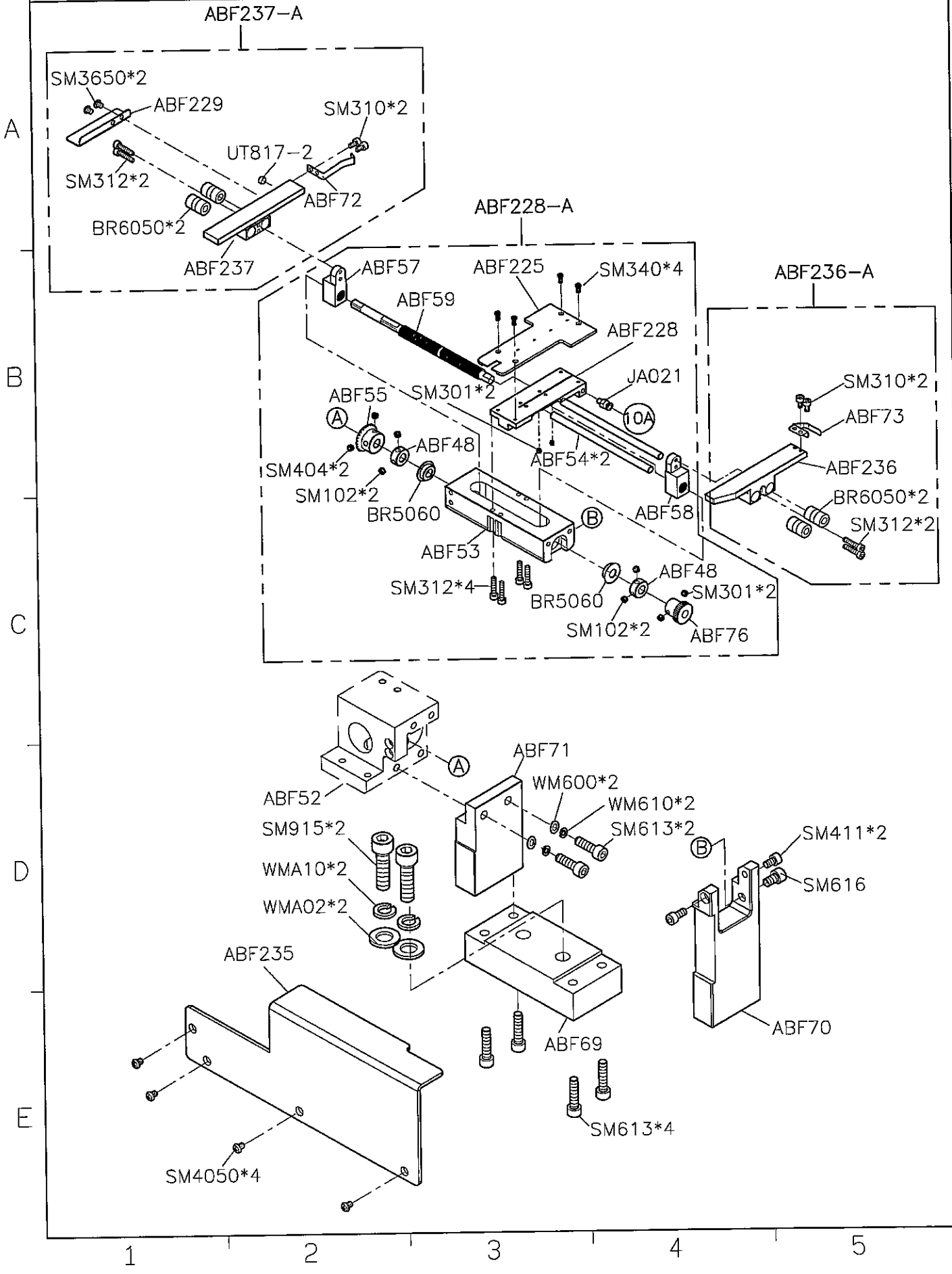
SIRUBA PARTS LIST	Series	Parts Group	Subclass Remark	1/14
	BT290	ABF	For big and small buttons	Date
				2014/01/08



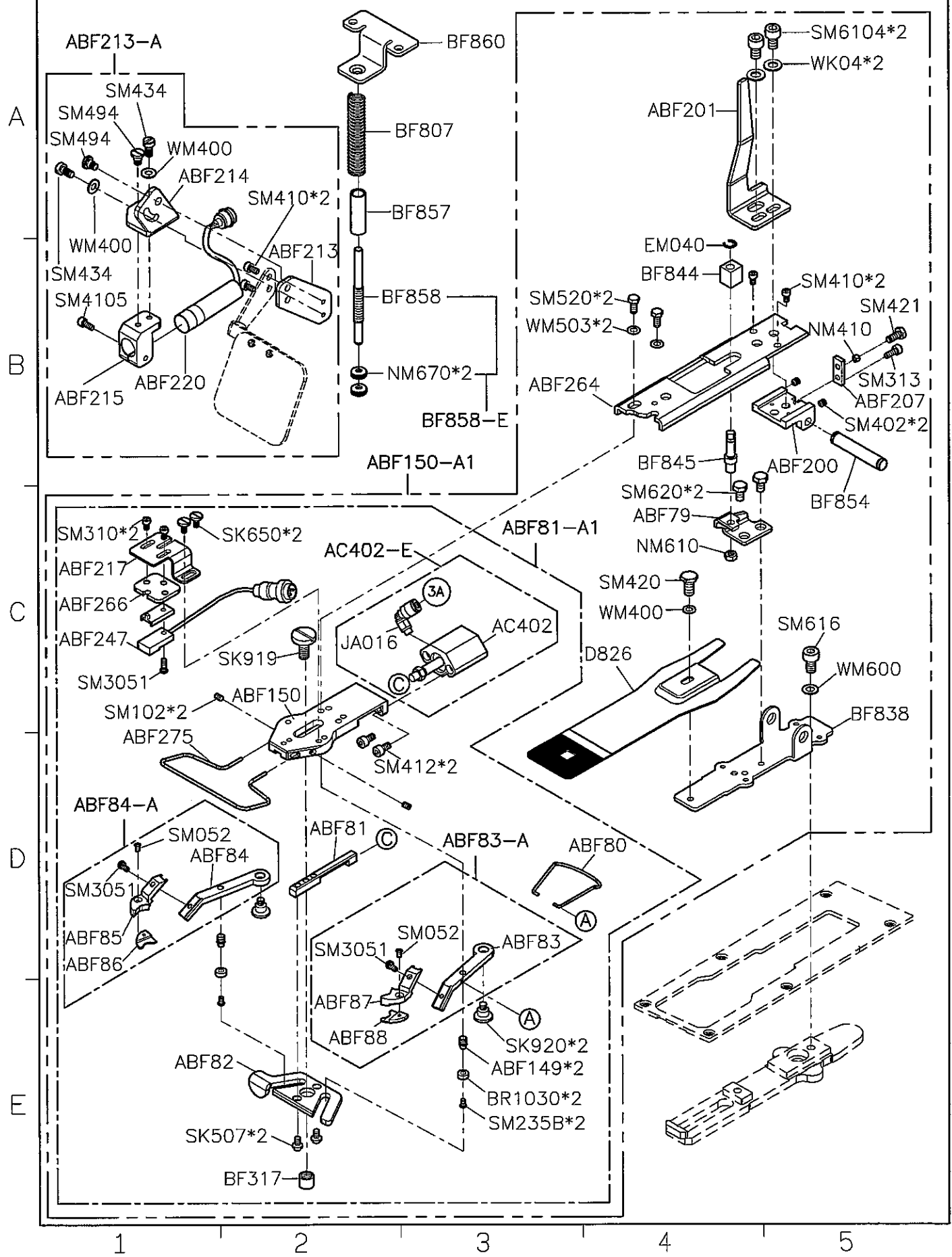
SIRUBA PARTS LIST	Series	Parts Group	Subclass Remark	2/14
	BT290	ABF	For big and small buttons	Date
				2014/01/08



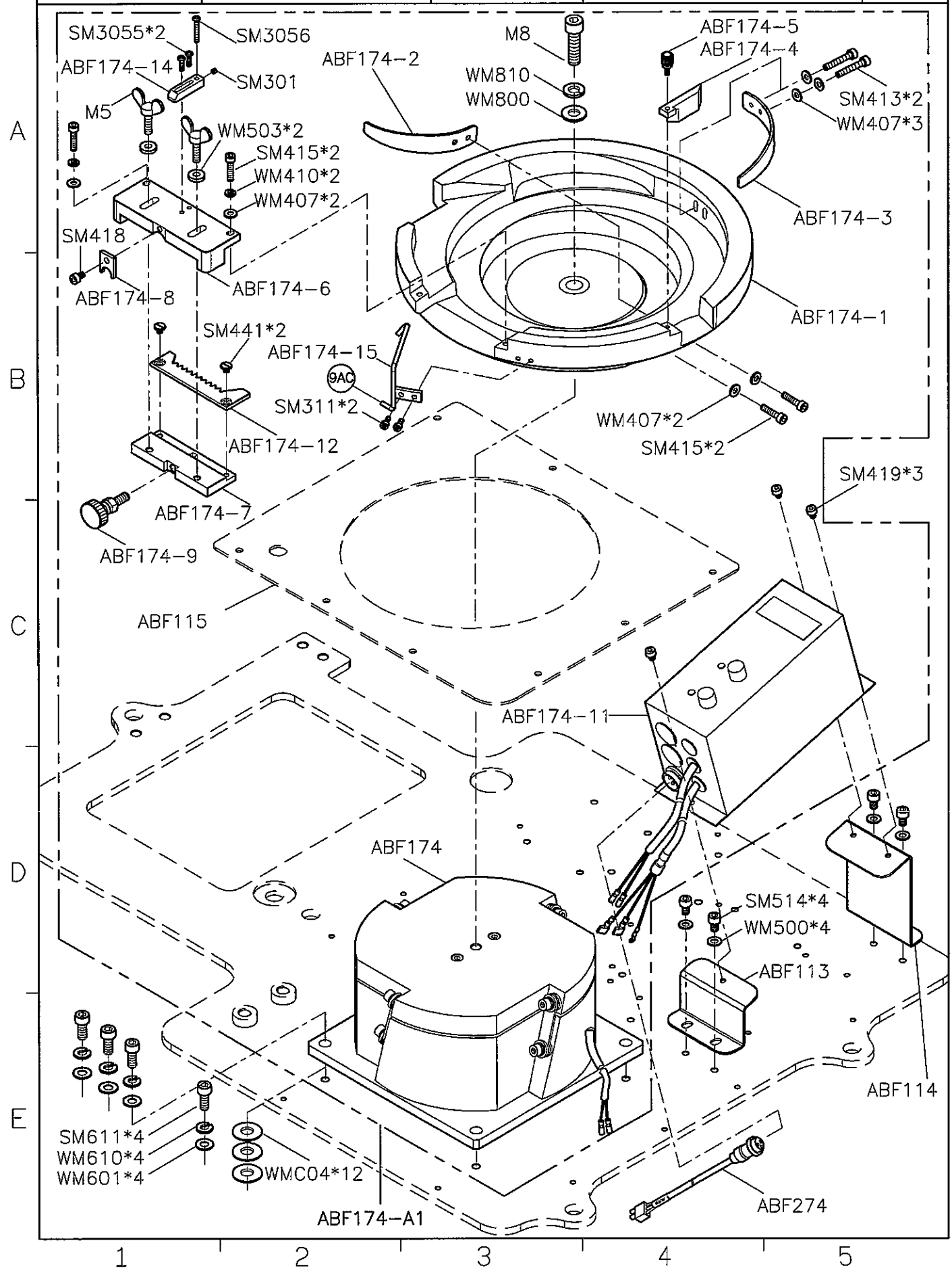
SIRUBA PARTS LIST	Series	Parts Group	Subclass Remark	5/14
	BT290	ABF	For big and small buttons	Date



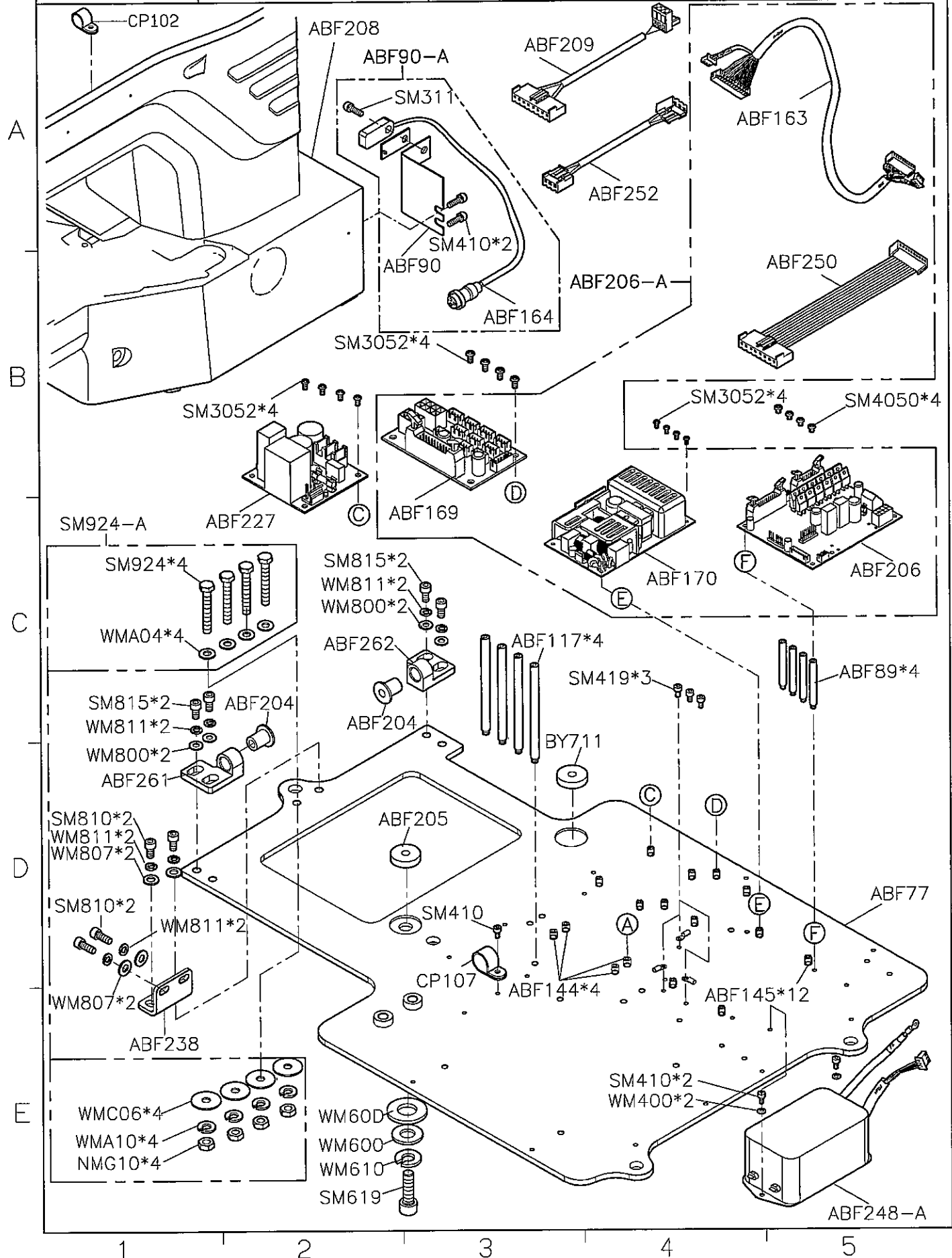
SIRUBA PARTS LIST	Series	Parts Group	Subclass Remark	Page
	BT290	ABF	For big and small buttons	6/14
				Date 2013/10/24



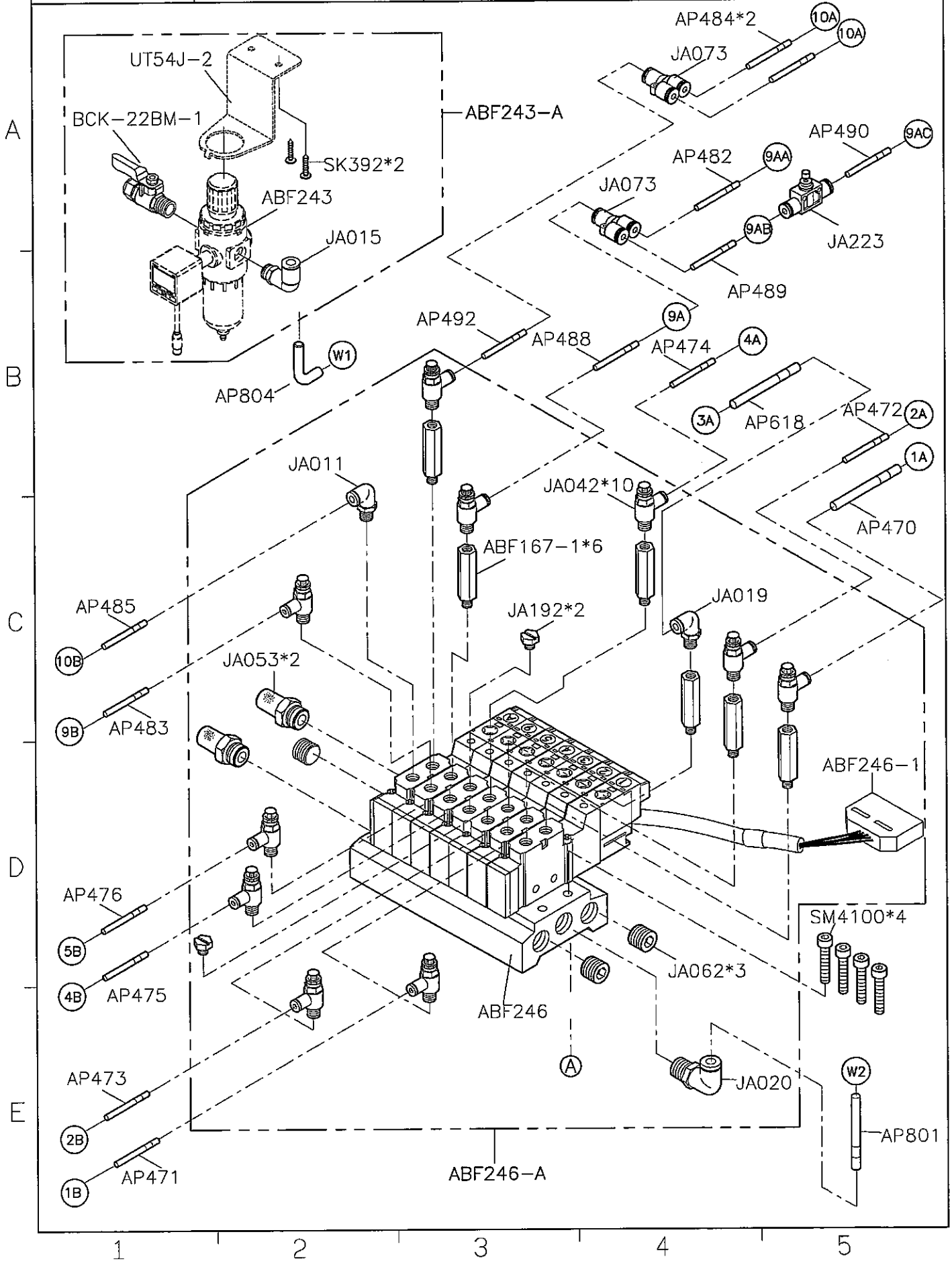
SIRUBA PARTS LIST	Series	Parts Group	Subclass Remark	Page
	BT290	ABF	For big and small buttons	7/14
				Date 2013/10/24



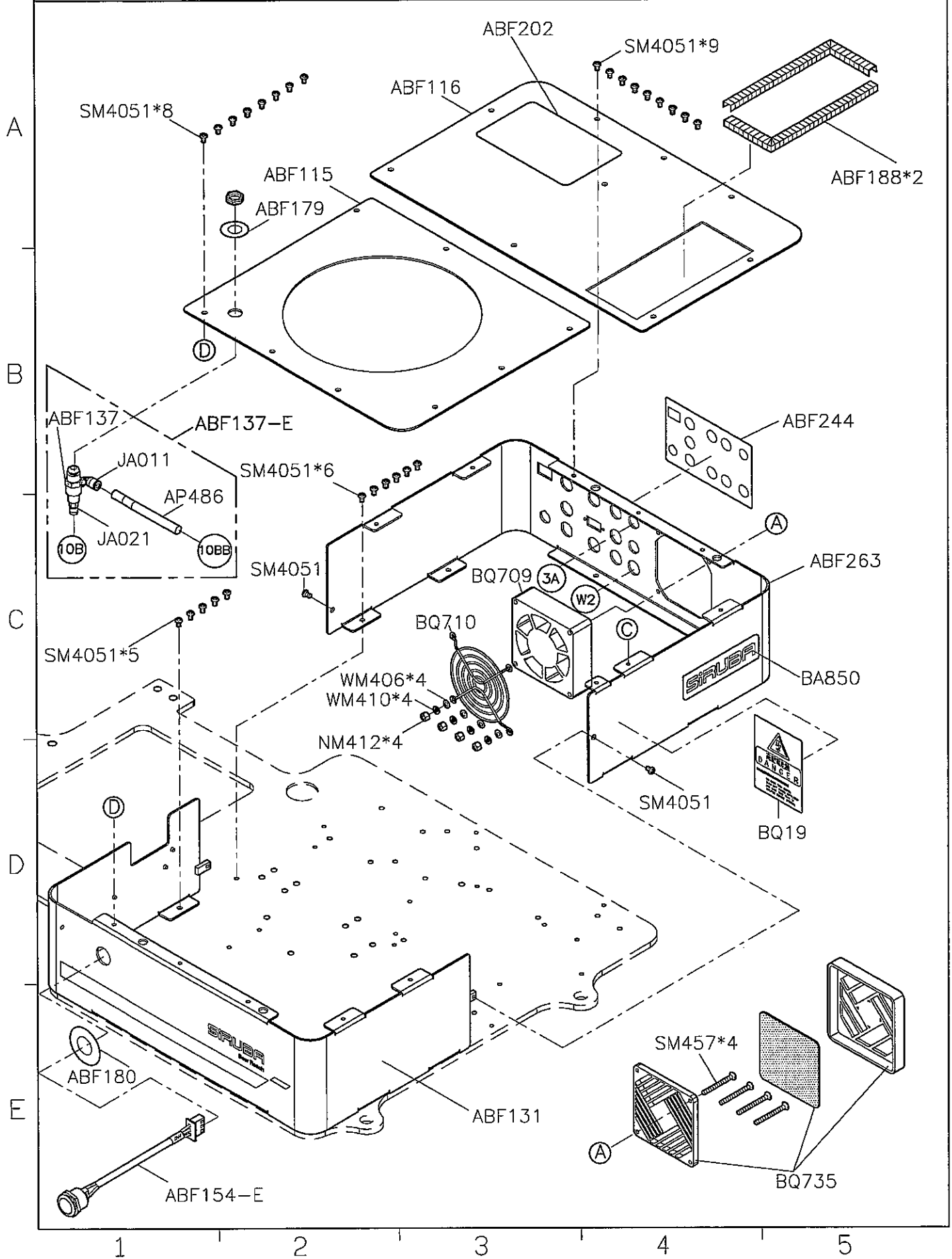
SIRUBA PARTS LIST	Series BT290	Parts Group ABF	Subclass Remark For big and small buttons	8/14 Date 2014/01/08
----------------------	-----------------	--------------------	--	----------------------------



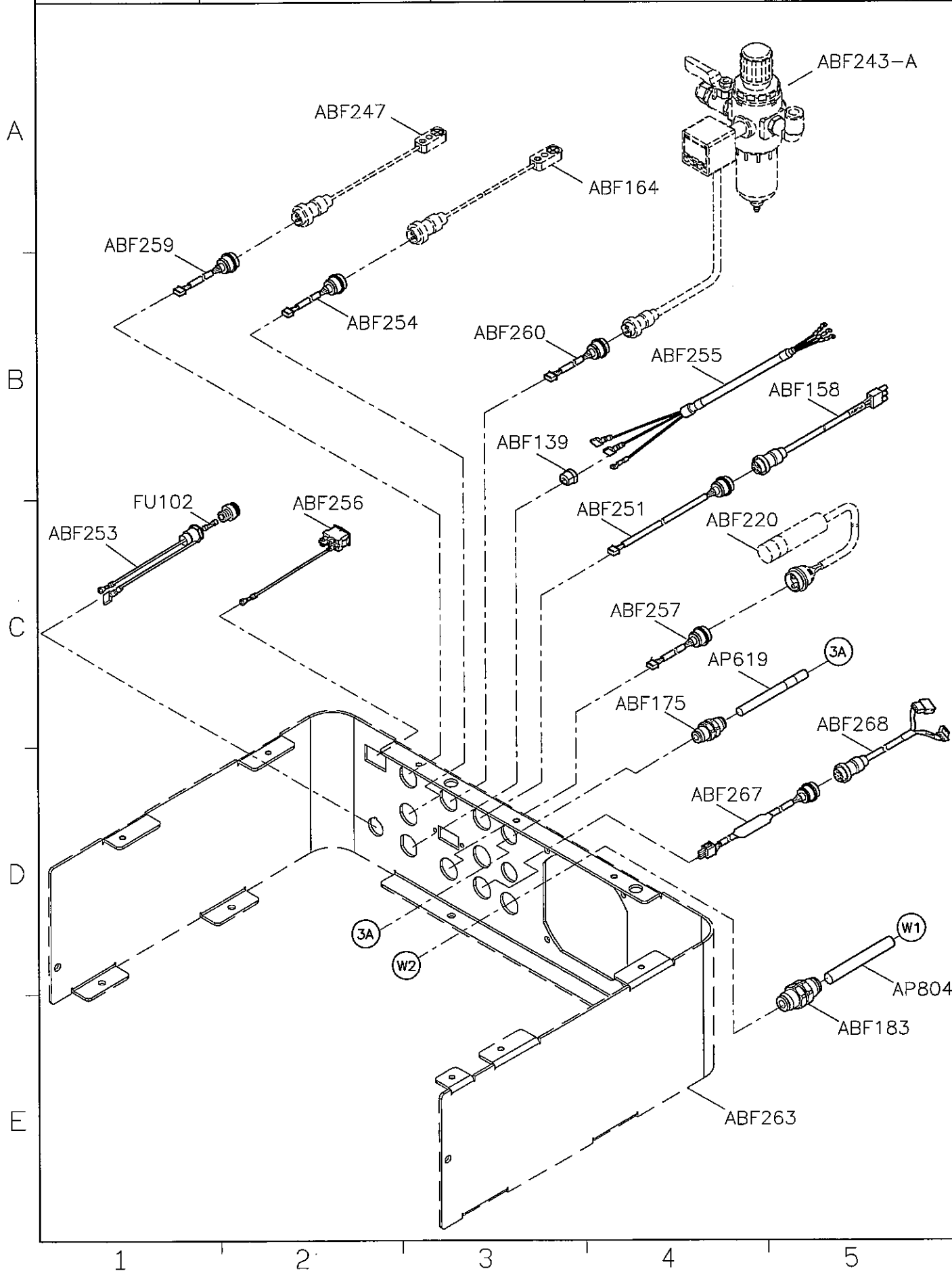
SIRUBA PARTS LIST	Series	Parts Group	Subclass Remark
	BT290	ABF	For big and small buttons
	9/14		
	Date		
2014/01/08			



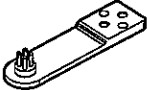
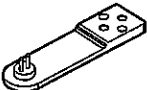
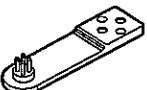
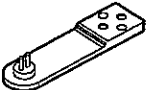
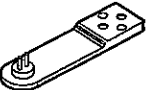
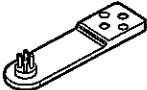
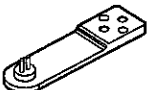
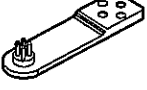
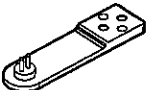

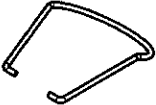
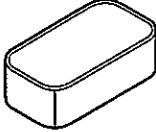
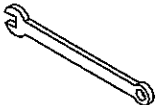
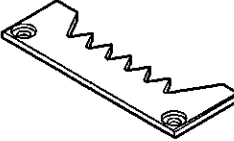
SIRUBA PARTS LIST	Series	Parts Group	Subclass Remark
	BT290	ABF	For big and small buttons
			10/14
			Date
			2014/01/08



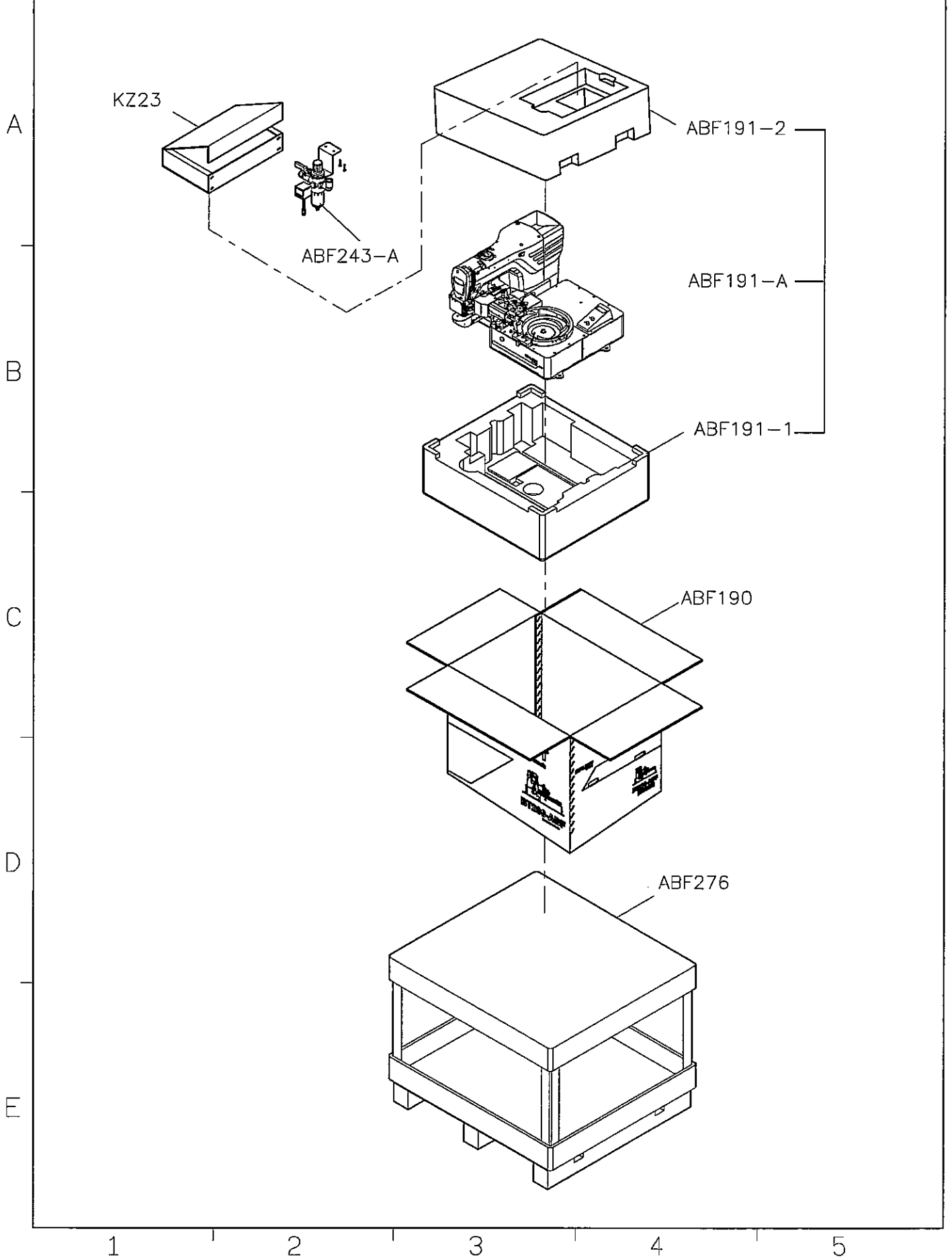
SIRUBA PARTS LIST	Series	Parts Group	Subclass Remark	11/14
	BT290	ABF	For big and small buttons	Date

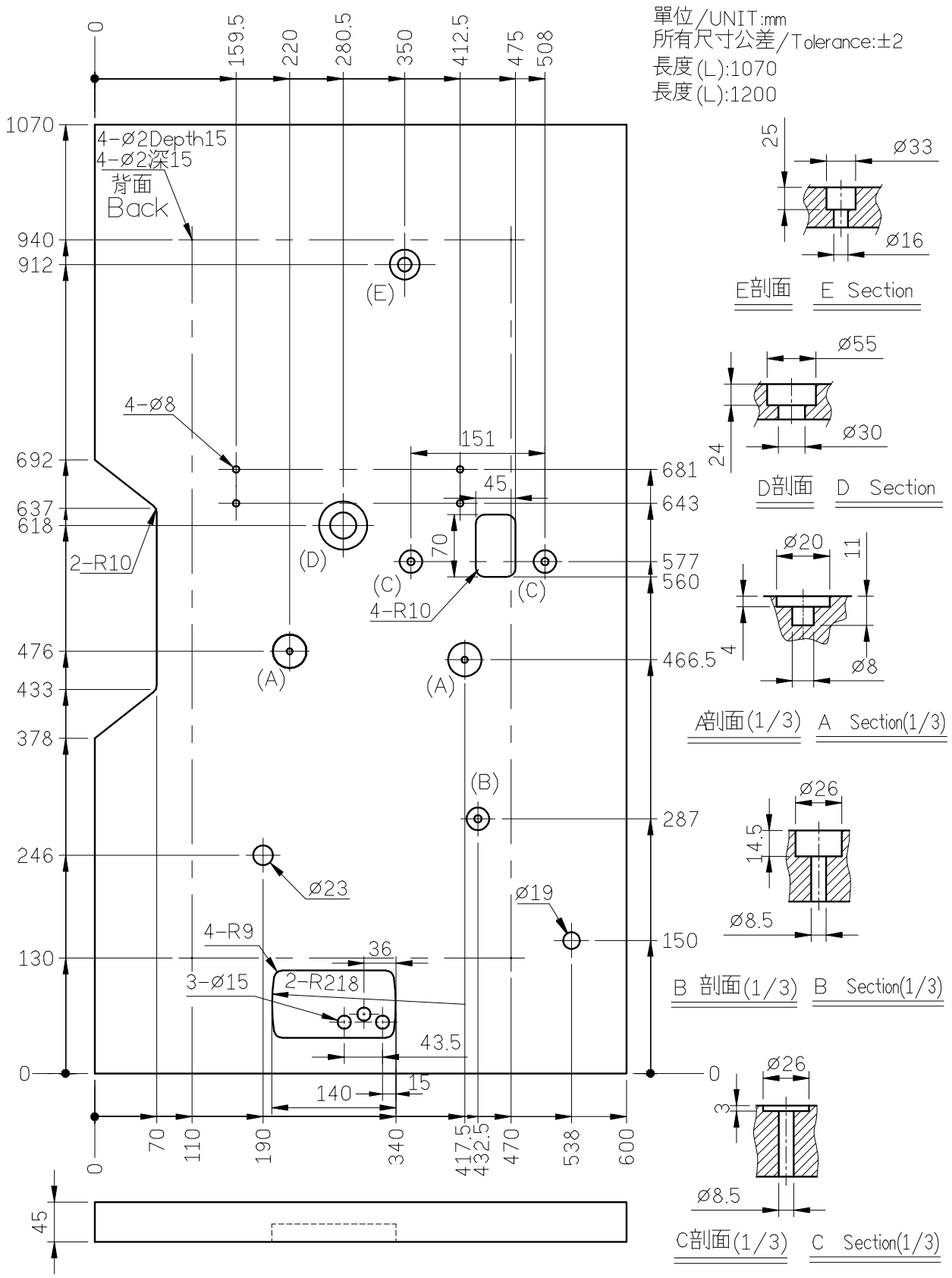


SIRUBA PARTS LIST	Series	Parts Group	Subclass Remark	Page
	BT290	ABF	For big and small buttons	12/14
				Date 2013/10/24

A	ABF118	ABF119	ABF120	ABF121	ABF123
					
B	ABF124	ABF125	ABF126	ABF127	ABF19*3
					
C	ABF80	ABF182	KY08*2	ABF174-13	
					
D					
E					
	1	2	3	4	5

SIRUBA PARTS LIST	Series	Parts Group	Subclass Remark	13/14
	BT290	ABF	For big and small buttons	Date
				2014/01/08



SIRUBA**TABLE
CUT - OUT****Series****BT290****Item Code****BT290-T1****Subclass / Remark**For All BT290 Series Excluding
ABF**Mounting****Semi-submerged****Date****2012/08/22**

SIRUBA TABLE CUT - OUT	Series	Item Code	Subclass/Remark	Mounting
	BT290-ABF	BT290-T2	For ABF Model	Non-submerged
				Date
				2013/10/24

